



Warranty Registration Form

Free gift with completion of form

To be completed and mailed or faxed by the customer purchasing equipment.
Return this warranty card within ten days of purchase.

Purchased By:

Name _____ Title _____

Company _____

Street Address _____

City _____ State _____ Zip Code _____

Phone Number _____ Fax _____

Date Purchased _____ Name of Distributor _____

KaiVac® KaiZen™
Serial Number _____

Does your system include a KaiTutor™? Yes No

Type of Business

- | | |
|---|--------------------------------------|
| <input type="checkbox"/> School/University | <input type="checkbox"/> Industrial |
| <input type="checkbox"/> Hospital/Health Care | <input type="checkbox"/> Office |
| <input type="checkbox"/> Contract Cleaner | <input type="checkbox"/> Other _____ |

Intended Uses (check all that apply):

- | | | |
|--|--|---|
| <input type="checkbox"/> Restroom Cleaning | <input type="checkbox"/> Cleaning Around Machinery | <input type="checkbox"/> Classroom Cleaning |
| <input type="checkbox"/> Floor Stripping | <input type="checkbox"/> Stairwell Cleaning | <input type="checkbox"/> Other _____ |
| <input type="checkbox"/> Kitchen Cleaning | <input type="checkbox"/> Locker and Shower Room | |
| <input type="checkbox"/> Carpet Extraction | <input type="checkbox"/> Hallway Cleaning | |

Thank you very much for the information you have filled out for our records. As our way of saying thank you, we'd like to send you a free Microfiber KaiTowel.

Kaivac, Inc. · 401 South Third St. · Hamilton, Ohio 45011
Phone (513) 887-4600 · Fax (513) 887-4601 · Toll Free (800) 287-1136 · www.kaivac.com



Certificate of Conformity

We **Kaivac, Inc.**
401 S. Third Street
Hamilton, OH 45011 USA

Declare and Certify that the following product

Machine	
Type/Model	
Serial Number	
Date of Manufacture	

Has been manufactured using the following standards and specifications:

And has been inspected and tested at our works in accordance with the relative specifications and drawings with which they comply in all respects:

And has been affixed with the CE Mark in Compliance with the following standards and specifications:

BS EN 292-1:1991 Safety of Machinery - Basic concepts, general principles for design. Part 1: Basic terminology, methodology.

BS EN 292-2:1991 Safety of Machinery - Basic concepts, general principles of design - Part 2: Technical principles and specifications.

BS EN 614-1:1995 Safety of Machinery - Ergonomic design principles - Part 1: Terminology and general principles.

BS EN 1050:1996 Safety of Machinery - Principles for risk assessment

BS EN 60204-1:1993 Safety of Machinery - Electrical equipment of machines - Part 1: Specification for general requirements.

and complies with the requirements of:

European Machinery directive 98/37/EC

UK Regulation 1992 no. 3073 - Supply of Machinery (Safety) Regulations 1992, and as amended.

European Low Voltage Directive 73/23/EC and as amended by 93/68/EC.

UK Regulation 1994 no.3260 - Electrical Equipment (Safety) Regulations 1994.

Place of Issue	401 S. Third Street, Hamilton, OH 45011 USA
Date of Issue	
Signature	
Printed Name	
Position	Quality Manager

Winterize your Kaivac Equipment

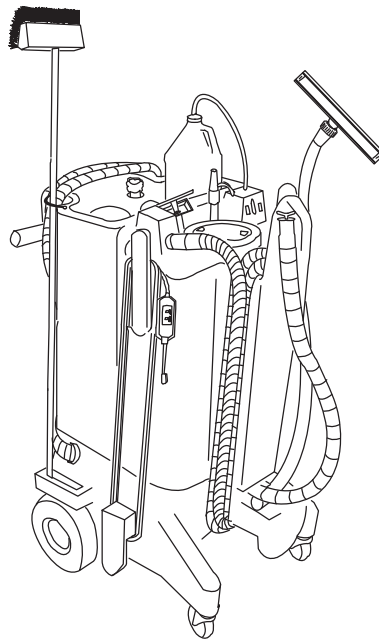
Your Kaivac machinery should be winterized between uses if it is to be exposed to freezing temperatures. To winterize your machine, pour 1/2 gallon of windshield wiper fluid into the empty water tank. Aim the spray gun into the water tank. Run the pump and spray the gun until the fluid begins running through.



KaiVac Operator's Manual



SERIAL# 8901 ON



Serial Number:

Date of Purchase:

Source of Purchase (Distributor):

KaiVac Incorporated
401 South Third Street
Hamilton, Ohio 45011
phone: 800-287-1136
fax: 513-887-4601
kaivac.com

READ THIS MANUAL CAREFULLY BEFORE OPERATING THE KAIVAC
CLEANING SYSTEM

TABLE OF CONTENTS

SECTION 1

1.....	Introduction
2-3.....	Safety Precautions
4.....	Limited Warranty Protection Plan
5-16.....	S.I.M.P.L.E Operation
17.....	Optional Uses
18.....	Chemical Injection Chart
19.....	Routine Maintenance
20-22.....	Trouble Shooting Guide
24.....	Water Airflow Schematic
25.....	Wiring Diagram

SECTION 2

1-2-3-4-5.....	Parts list
6.....	External View
7.....	Internal View
8.....	CVS12 Squeegee Tool
.....	SUBEB2001 Electrical Box
9.....	SUBGA Gun Assem.
.....	SUBFL Float Shutoff
10.....	SUBSP Standpipe
.....	PREMUFFLER / MUFFLER
11.....	SUBIQD Chemical Injector
12.....	SUBPA Pump Motor Assem
13.....	SUBCE Carpet Extractor
.....	GROUT TOOL
14.....	Upholstery Tool
.....	MUFFKV Muffler



SECTION 1

Introduction

INSPECTION

Carefully unpack and inspect your new KaiVac cleaning machine for shipping damage. Each unit is tested and thoroughly inspected before shipping. For instructions regarding any shipping damage, contact KaiVac immediately. All returns must have a Return Authorization Number (RAN).

WARNINGS

- **DO NOT** operate with a frayed, worn or damaged cord.
- **DO NOT** use to pick up flammable or combustible materials.
- **DO NOT** run the pump without water in the water tank or without filter.
- **DO NOT** use hot water.

GROUNDING INSTRUCTIONS

THE KAI VAC MUST BE GROUNDED. If it should malfunction or stop working, grounding provides a path of least resistance for electrical current, thereby reducing the risk of electrical shock. The KaiVac is also supplied with a ground fault circuit interruptor (GFCI) to reduce danger of electric shock. It must be maintained and tested regularly. This unit is equipped with a cord that has an equipment grounding conductor and a grounding plug. The plug must be inserted in an appropriate outlet that is properly installed and grounded in accordance with all local codes and ordinances. Cutting off the ground wire or using a cord that is not equipped with a ground plug will void the warranty on the unit, and KaiVac will accept NO responsibility associated with the unit.

Improper connection of the equipment grounding connector conductor can result in a risk of electrical shock. Check with a qualified electrician or service person if you doubt the outlet is properly grounded. Do not modify the plug provided with the KaiVac. If it will not fit the outlet, have a proper outlet installed by a qualified electrician.

Safety Precautions

- **Equipment Warning**
 - Read all instructions to ensure safe operation of the KaiVac.
- **Training**
 - Proper training is required before using the KaiVac. Contact your authorized KaiVac distributor for training information.
 - Instruction placards are attached to each KaiVac and should not be removed. These placards show proper cleaning procedures and safety precautions.
- **Equipment Use**
 - Do not use the equipment in a manner that it was not intended for by the manufacturer.
 - See S-I-M-P-L-E Operation section for proper use of the equipment.
- **Spray Gun**
 - Never point the spray gun at people.
- **Prevention of Electrocutation –**
 - Use the ground fault circuit interruptor (GFCI) with the KaiVac at all times.
 - Test the GFCI before each use.
 - Do not spray liquid from the KaiVac onto electrical outlets or on any electrical devices.
- **Personal Protection –**
 - Wear gloves, eye protection and ear protection when operating the KaiVac.
- **Prevention of Water Damage to Buildings**
 - The KaiVac is to be used on water-resistant building surfaces only. These include concrete, terrazzo, ceramic tile and quarry tile.
 - The KaiVac may be used for stripping on vinyl-composite tile floors, but daily cleaning of resilient flooring using the KaiVac is not recommended.
 - Never overflow the water tank or the vacuum recovery tank.
 - Discontinue use if any leaks occur in the KaiVac.

CAUTION: Prior to cleaning, always inspect area to ensure that the surfaces to be cleaned are water-safe. In addition, check for poor construction, damaged walls and floors, missing or damaged tiles or grout, missing or insufficient caulk, and loose wall coverings. If problems are discovered, resolve them prior to cleaning in order to avoid any harm that may result from exposure to water or cleaning solution.

- **Chemical Use**

- Only use chemicals approved for use with the KaiVac. Use of non-Kaivac Will reduce warranty and may cause machine damage.
- Turn Chemical line off when not in use.
- Keep the appropriate chemical MSDS sheets on hand at all times.
- Cleaning chemicals should not be put in the water tank (with the exception of KaiDri in small amounts). Cleaning chemicals in the water tank can cause operator harm and machine damage because of the following:
 - Chemicals in the water tank must pass through the pump which may cause premature pump failure. Use of chemicals in the water tank voids the warranty.
 - Chemicals in the water tank will be aerosolized and may harm the operator.

- **Electrical**

- Do not pull the KaiVac by the cord or use the cord as a handle. Do not close a door on the cord or pull the cord around sharp edges or corners. Do not run over the cord. Keep the cord away from heated surfaces.
- DO NOT pull on the cord to unplug. Grasp the plug at the outlet and pull.
- Turn off the unit before unplugging.
- Connect to a properly grounded outlet only.

- **Machine Integrity**

- Do not run the pump dry. This will void the machine warranty.
- Do not run hot water through the pump. This can cause pump cavitation and will void the warranty.
- Always be sure the water tank and water line filters are clear of debris. Running the pump with clogged filters can cause pump damage.
- Replace any damaged cords before use.
- Replace any damaged hoses before use.

SAVE THESE INSTRUCTIONS
Violation of any of these instructions may void any and all warranties

Limited Warranty Protection Plan

The KaiVac has been engineered and tested to provide long lasting performance. This warranty covers defects in workmanship or materials under normal use and service from the date of purchase.

Kaivac warrants the following components to be free from defects in materials and workmanship for these time periods:

1.) KaiChem Warranty for end users who use only Kaivac chemicals for the life of the machine.

- 5 years on rotationally molded parts.
- 3 years on other parts (excluding wear items)
- 1 year on labor

2.) Standard Warranty (When Kaivac chemicals not used)

- 1 year parts and labor

All Kaivac replacement parts are guaranteed for 90 days from the date of installation. Normal wear items such as wheels, hoses, seals, gaskets, cords, casters, squeegees and GFCI are excluded from warranty coverage.

All warranty claims must be accompanied by a Return Authorization Number (R.A.N.), which is available by calling the Kaivac Customer Service Department. No returns will be accepted without a R.A.N.

This warranty does not apply to return freight costs, damage or defect caused by accident, negligence, misuse, fire or repair done by anyone other than a Kaivac authorized repair center. In no event shall Kaivac, Incorporated be liable for incidental or consequential damages, or any damages to persons or property.

Please Note: Some states do not allow the exclusion or limitation of incidental or consequential damages. This warranty is in lieu of any other warranty expressed or implied, including any implied or merchantability for a particular purpose otherwise. Under no circumstances will the seller be liable for any loss, damage, expenses or consequential damages arising in connection with the use or inability to use seller's product. Kaivac, Incorporated reserves the right to make changes or improvements to its equipment without notice.

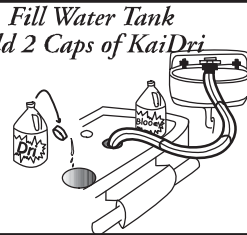


S*I*M*P*L*E No-Touch Cleaning Method

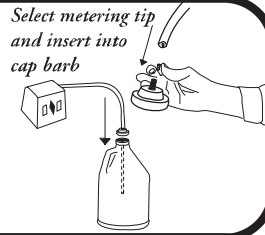
S Set-up



Dump Vac Tank

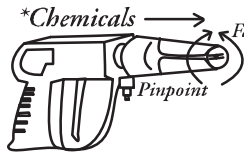


Fill Water Tank
Add 2 Caps of KaiDri



Select metering tip
and insert into
cap barb

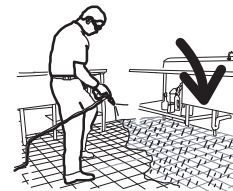
I Inject Chemicals



*Chemicals → Fan Spray
Pinpoint
LOW Pressure Mode



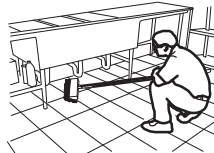
Fan Spray



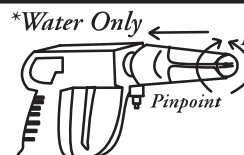
M Manual Brush (OPTIONAL)



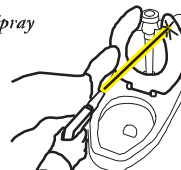
Manual
Brush heavy
soiled areas



P Pressure Wash & Rinse



*Water Only → Fan Spray
Pinpoint
HIGH Pressure Mode



PIN-POINT Spray

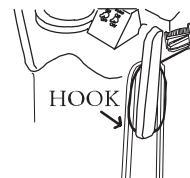
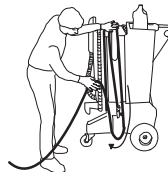


Top
to
Bottom

L Loop Spray Line

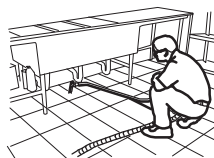


Clockwise



Adjust last loop.

E Extract & Dry




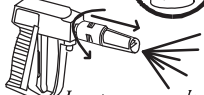
Kaivac No-Touch Restroom Cleaning

S




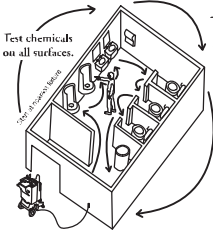

Turn valve on,
Check tank levels,
Optional:
Dust with KaiHose

I

Low pressure mode
Adjust spray gun to
chemical injection,
pull nozzle out and
rotate to fan pattern.



I

Test chemicals
on all surfaces.



Inject chemicals on fixtures and
soiled areas, start at the nearest
fixture traveling in circular pattern.

I


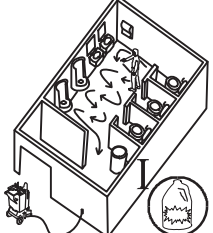
Apply cleaning
solution to fixtures.
Sinks **2sec.**

I


Turn
chemical
valve off.

I


Rinse chemical
from line onto floor.

M




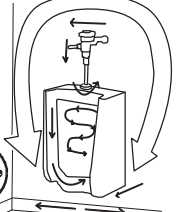
Optional: Manual Brush
heavily soiled floors.

P




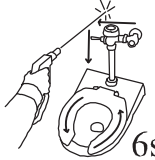
High pressure mode
Adjust spray
gun for high
pressure wash
and rinse.

P



Pressure wash fixtures
in a **top to bottom**
pattern.
Sinks **7sec.**

P

Pinpoint clean
plumbing
and seat top. **6sec.**

P


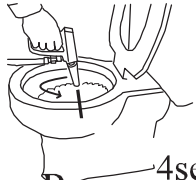
Lift seat
clean hinges
and seat
bottom. **6sec.**

P




Rim Shot
Place nozzle
under rim
and rotate. **4sec.**

P

Slam Dunk
Spray
into
bowl. **4sec.**

P




Spray bottom
and base. **10sec.**



Toilet Cleaning time 30sec.

L




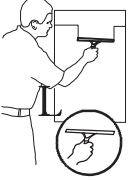

Loop and dry
hose onto wraps.

L

HOOK
Adjust last loop.

L


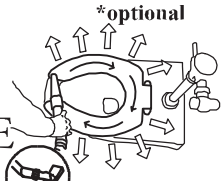
Squeegee mirrors
and flat surfaces.

L




Wet vac restroom
floor from front to rear
Load paper and
supplies and
examine.

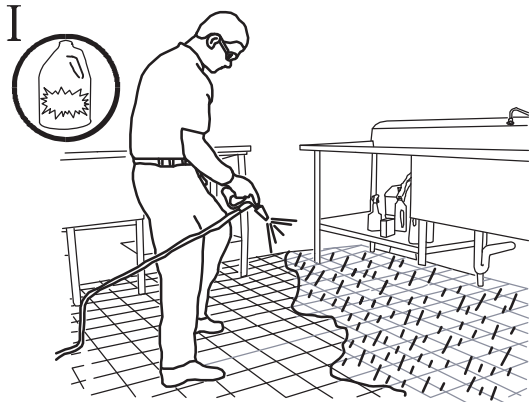
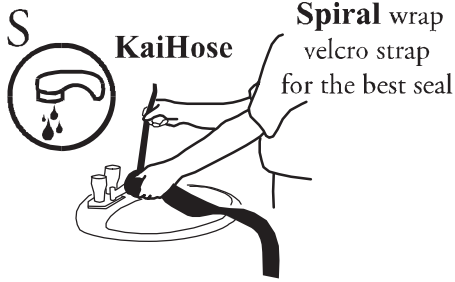
E

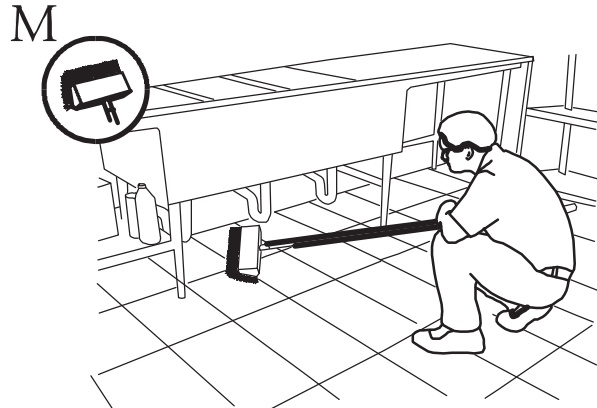
*optional
Blow dry
flush handles
and toilet seat tops

Restroom Cleaning

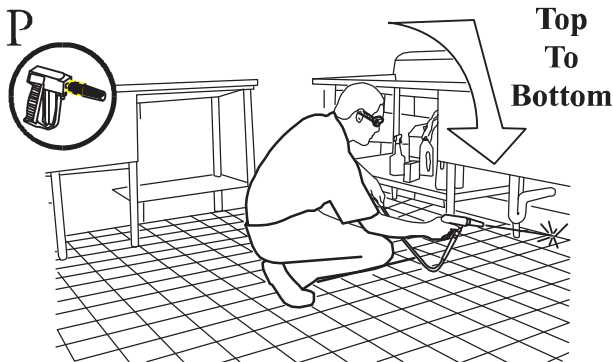
Kaivac Kitchen Cleaning



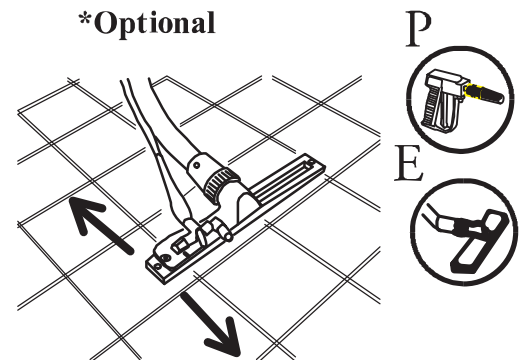
Inject chemicals on soiled surfaces and floor.



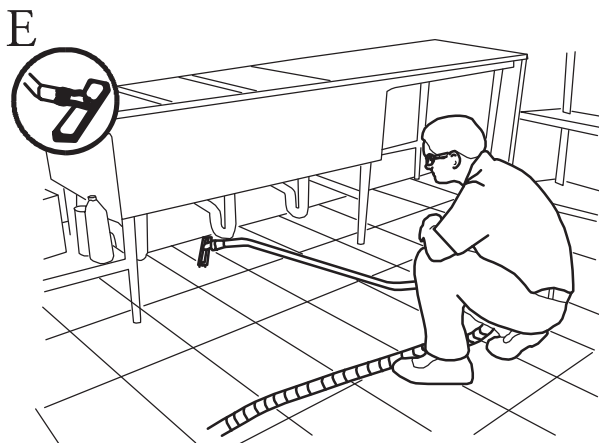
Manually brush floor in heavily soiled areas.



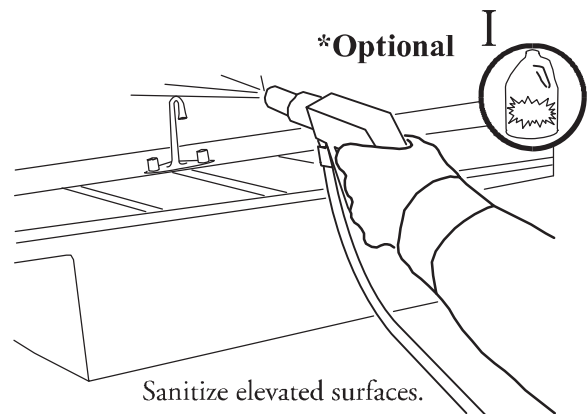
Pinpoint spray works great removing soils in corners and around base boards.



Allow degreaser proper dwell time then blast grout lines with KaiMop.



Lay Wand flat and maneuver under equipment.



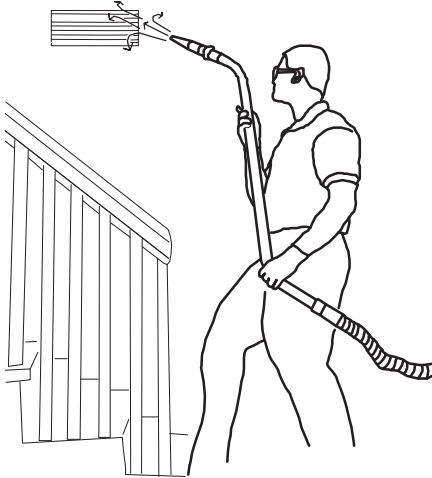
Sanitize elevated surfaces.



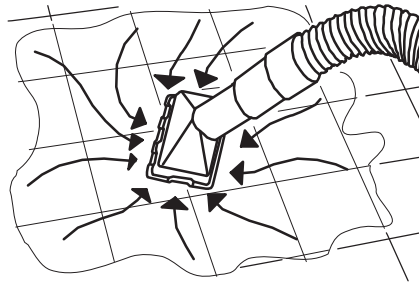
S*I*M*P*L*E Stairwell Cleaning



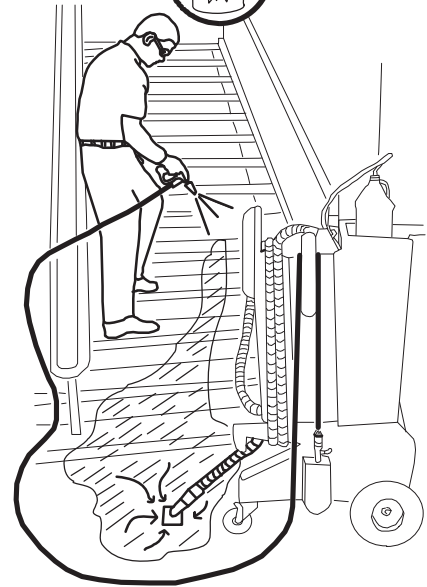
High dust cobwebs from hard to reach areas using the KaiBlower and squeegee wand



Position KaiVac at bottom of stairs with KaiDrain in position to suction excess moisture. Inject chemicals and apply to walls & stairs



KaiDrain is an instant drain if puddling occurs

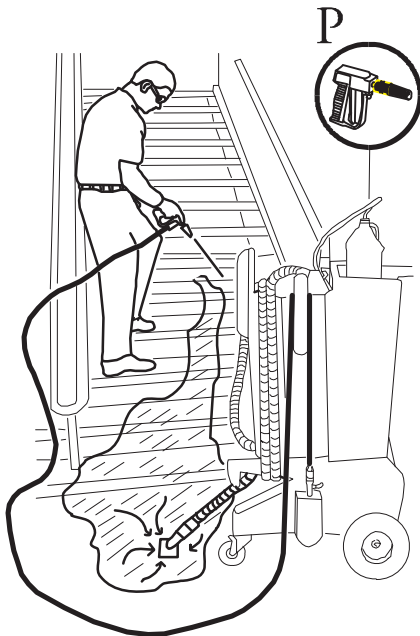


M

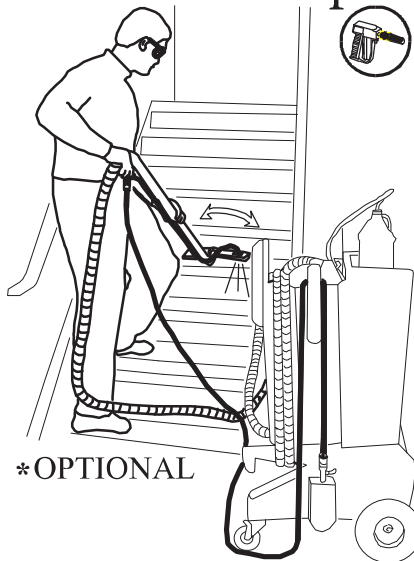


*** OPTIONAL**
KaiBrush walls & stairs for heavy soils.

Use the KaiGroutor or KaiMop (if available) to better control water



The floor squeegee tool sucks away soils and solution leaving stairway sparkling clean. Soils are contained in the KaiVac for later disposal



*** OPTIONAL**



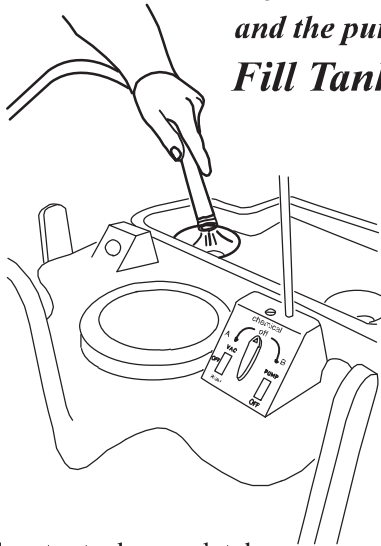
Stairwell Cleaning

KaiTricks Power Prime 2001 Model (SERIAL NUMBER 3000 AND HIGHER)

NOTE: Power priming is required if the water tank has been run dry and the pump will not automatically self prime. Perform all six steps.

Fill Tank

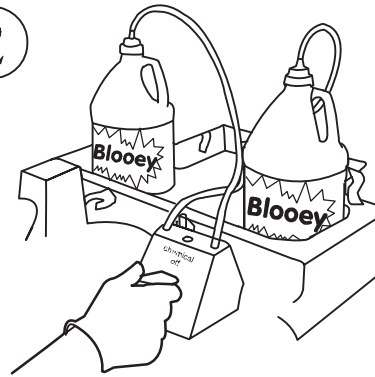
1



Fill water tank completely.

Turn Chemical Off

2

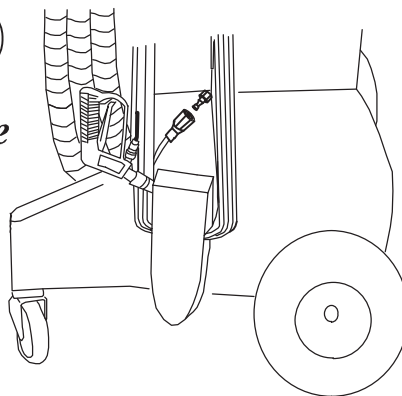


Turn chemical selector to the off position.

Disconnect Spray line

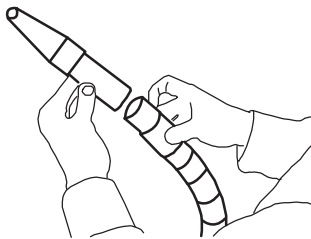
3

Disconnect the spray line at base of machine.



Attach Nozzle

4

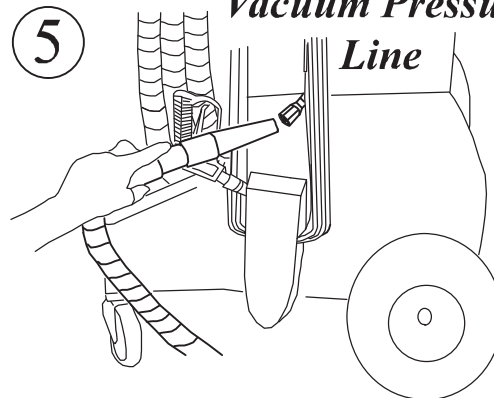


Connect the nozzle to the end of the vac hose.

Vacuum Pressure Line

5

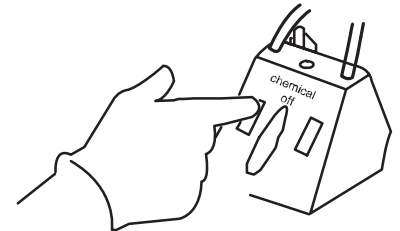
Firmly press the vac nozzle over the pressure line fitting coming out of the base of the machine. (turn on vac and pump motor and wait for prime) Prime should occur within 1 minute.



Jog (Burp) the pump

6

Continue step 5 and jog the pump motor on and off every 3 seconds, allowing the pump to come to rest each time.

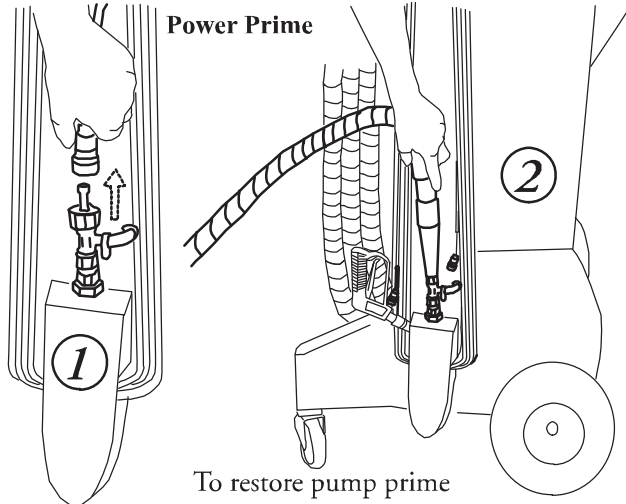


KaiTricks C

Kaivac

KaiTricks

POWER PRIME (SERIAL NUMBERS 3000 AND LESS)

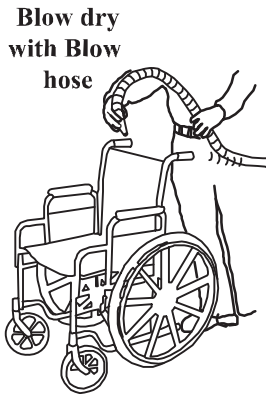


Power Prime

To restore pump prime connect blow nozzle on vacuum hose and place over injector. Hold in place until priming occurs. Reconnect spray line.



Spray proper cleaning solution on chair. Allow contact time. High pressure rinse to remove soils.

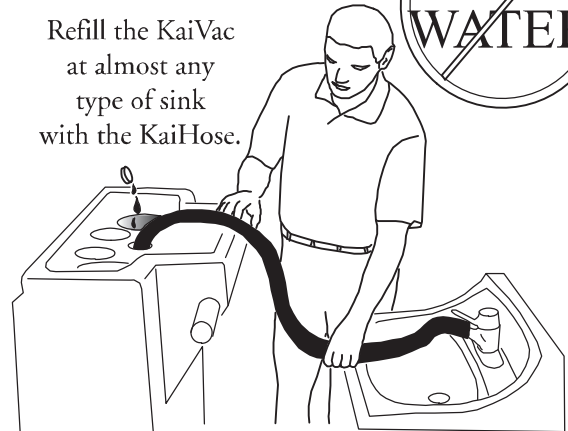


Blow dry with Blow hose



Dump KaiVac at any Toilet.

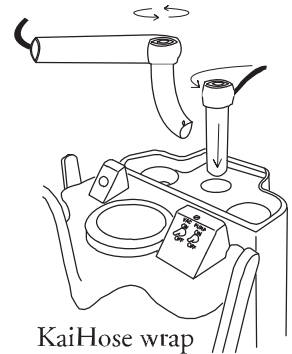
Refill the KaiVac at almost any type of sink with the KaiHose.



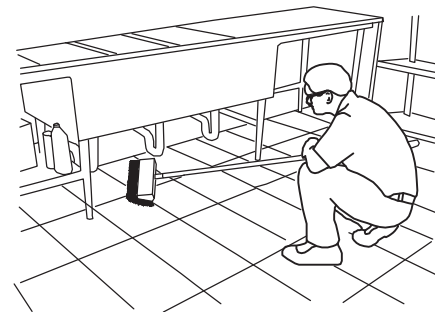
Spiral wrap velcro strap for the best seal



KaiHose



KaiHose wrap and stow



Use the KaiBrush to agitate heavy soils.

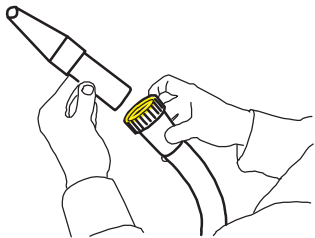


Use KaiBlower for dusting and cleaning lockers.

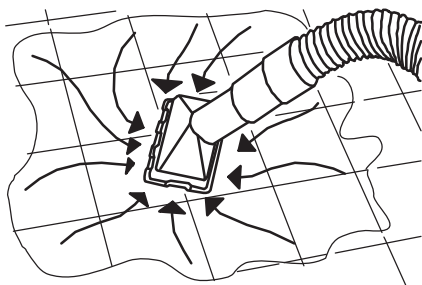
KaiTricks B

Kaivac

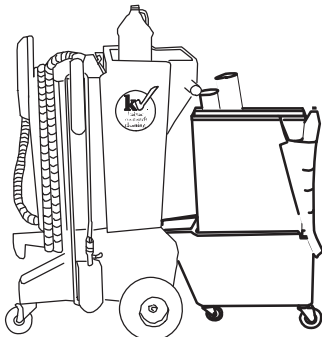
KaiTricks



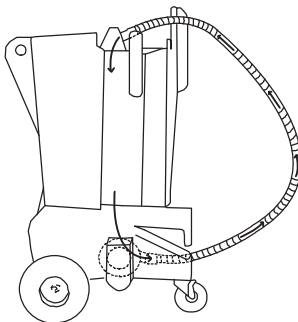
Insert KaiNozzle to blow-dust elevated areas.



KaiDrain is an instant drain if puddling occurs.



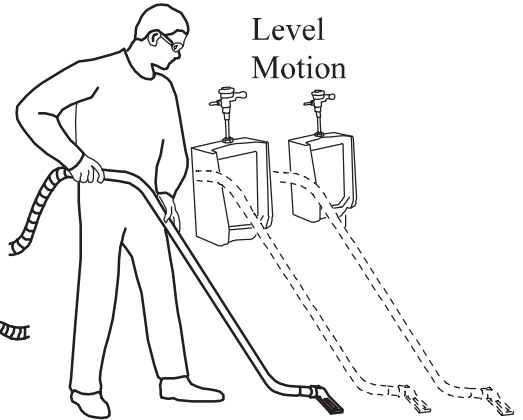
The KaiDolly carries everything you need to get the job done.



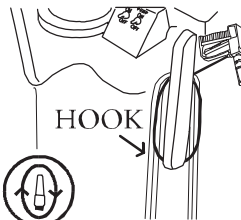
Dry vac hose by connecting hose ends to vac motor, then discharge air into vac tank.



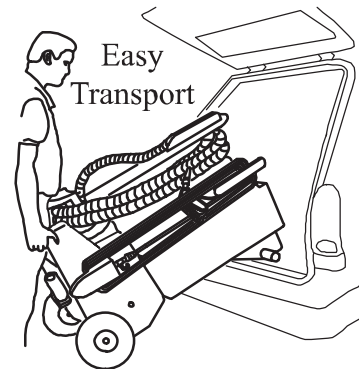
High-dust cobwebs from hard to reach areas using KaiBlower and squeegee wand



Floor squeegee works best with a level back and forward motion. Suction sound at the squeegee produces best pickups.



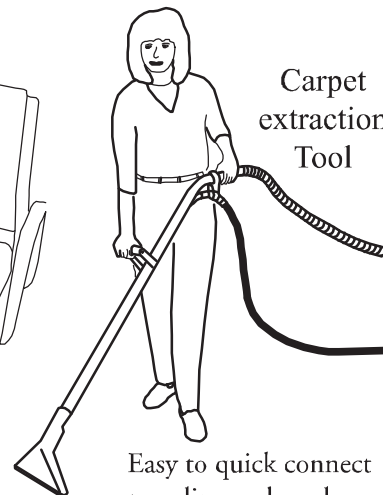
Adjust last loop.



Remove Placards, Tools, Chemicals and empty tanks before loading.



Upholstery Tool works great.

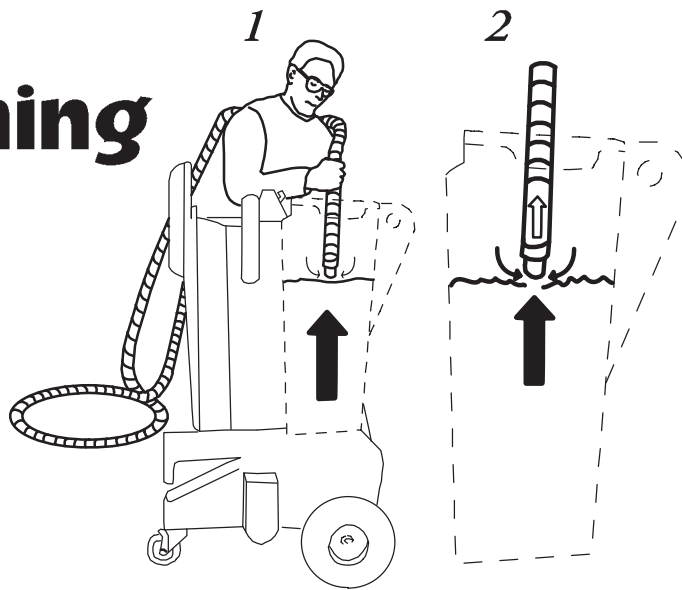


Easy to quick connect spray line and vac hose.

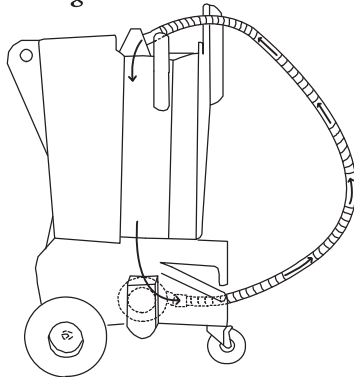
Kaivac

Tank and Hose Cleaning

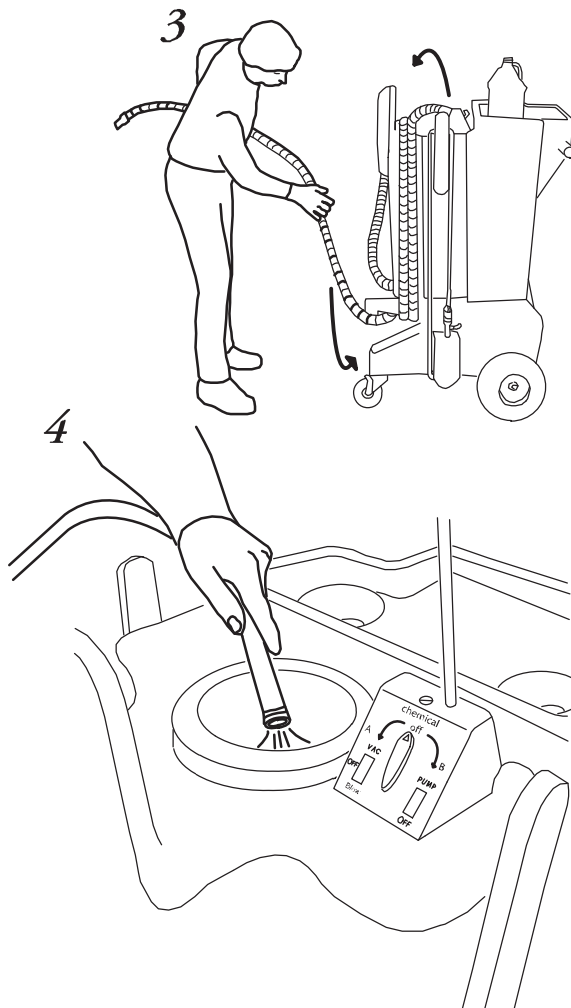
1. Unwrap vac hose and lay it on floor.
2. Suck water and air from water tank. Lower hose end to surface of water gulping both air and water. This action flushes soils from line and quickly empties water tank.



**Dry vac hose by connecting hose ends to vac motor, then discharge air into vac tank*

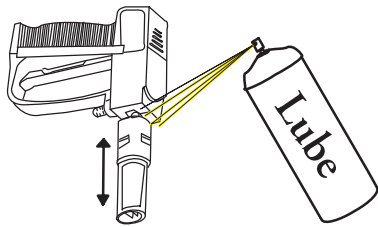


3. Vac hose can now be wrapped onto machine. Leave vac motor running while wrapping to avoid water dripping from end of hose. To completely dry hose leave vac motor running for about 3 minutes.
4. With Dump Hose opened to floor drain, spray inside of vac tank with clean water moving hose in a circular pattern to insure tank walls and float shutoff are rinsed.

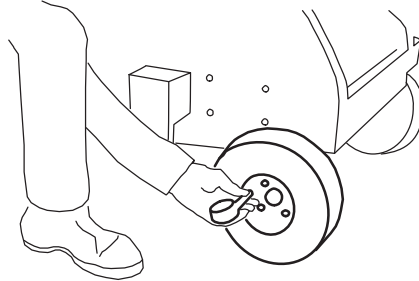


Tank and Hose Cleaning

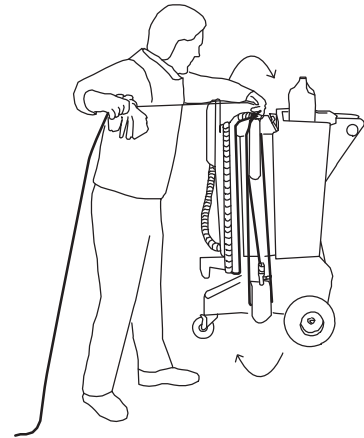
Kaivac General Maintenance



(weekly) Lubricate nozzle with penetration oil. Nozzle must move freely forward and backwards.



Keep tire pressure at 30 psi.

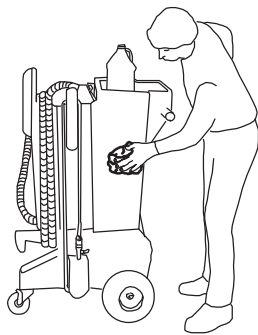


Wrap hoses and cords in a **Clockwise** direction and use a cleaning rag in one hand to wipe & dry.

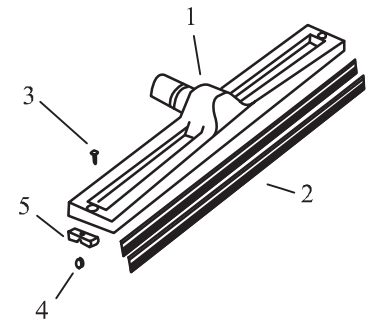
Windshield Fluid



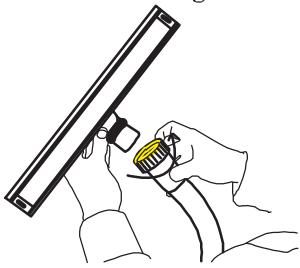
Winterize KaiVac for outdoor storage or transport in sub freezing temperatures. Remove all water from tank, add 1/2 gallon windshield washer fluid. Run pump and spray until fluid is discharged from gun.



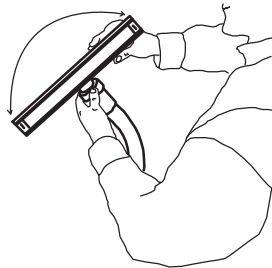
Wipe entire unit clean with an all purpose cleaner. **(DO NOT PRESSURE WASH MACHINE)**



Unscrew locking collar to remove tools

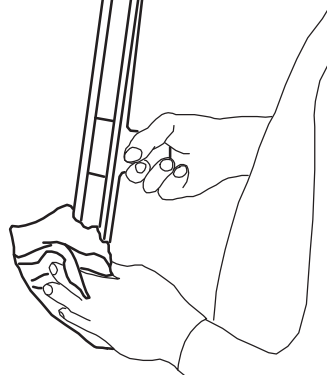


For Floor Squeegee, insure brass ring is located in groove.



When collar is snug Floor Squeegee should rotate freely.

Floor Squeegee



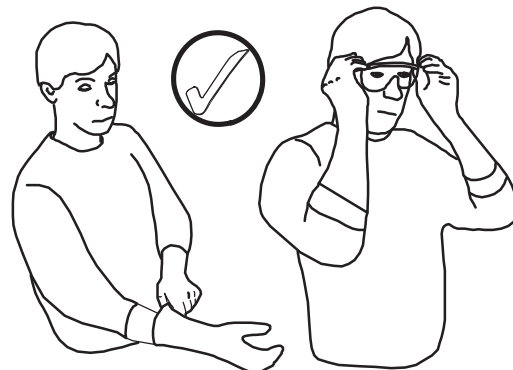
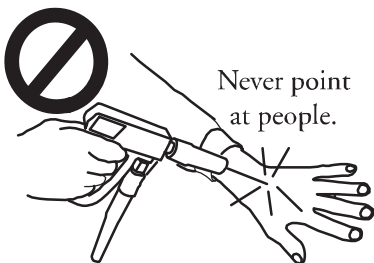
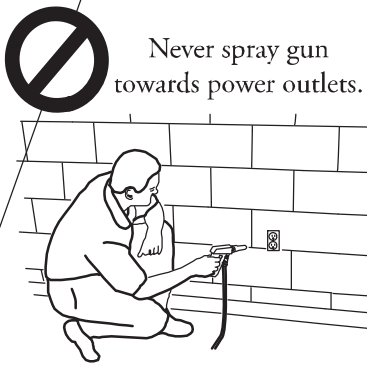
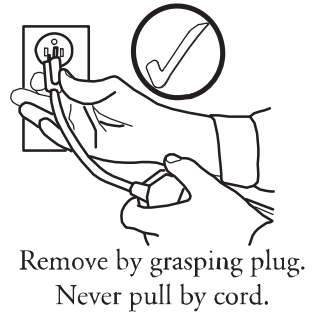
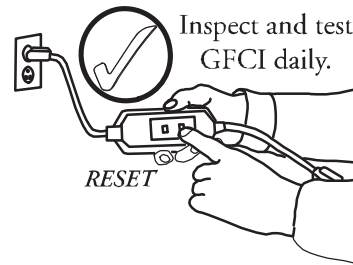
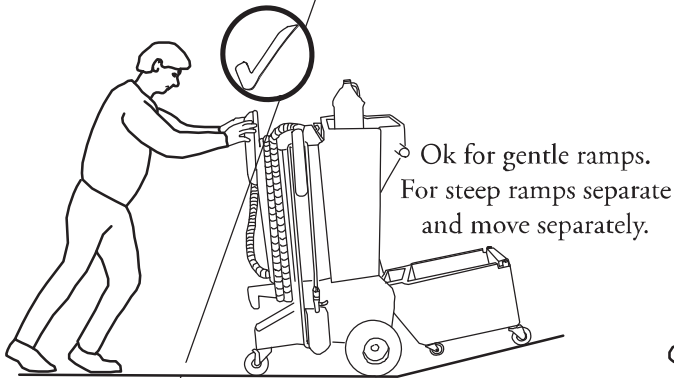
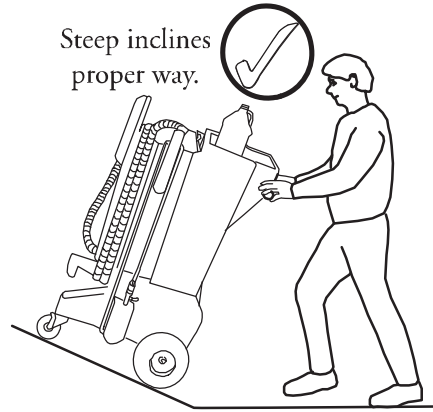
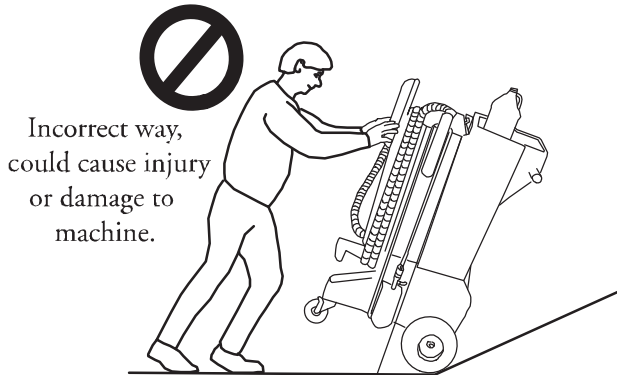
1. Squeegee Head
2. Blades
3. Screw
4. Wheel
5. Wheel Holder

Wipe Squeegee blades with cloth. Inspect tool for worn wheels and blades. Replace as needed.

General Maintenance

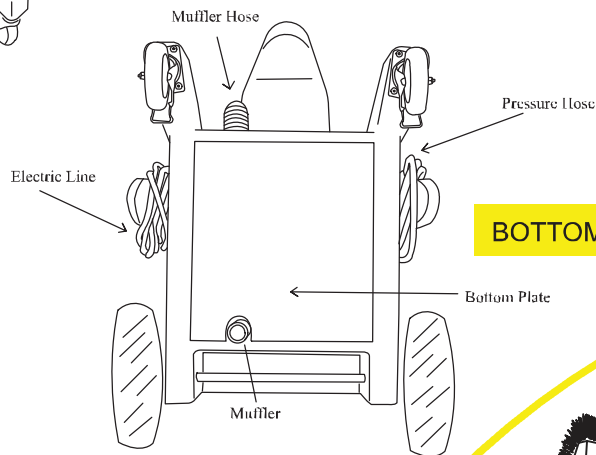
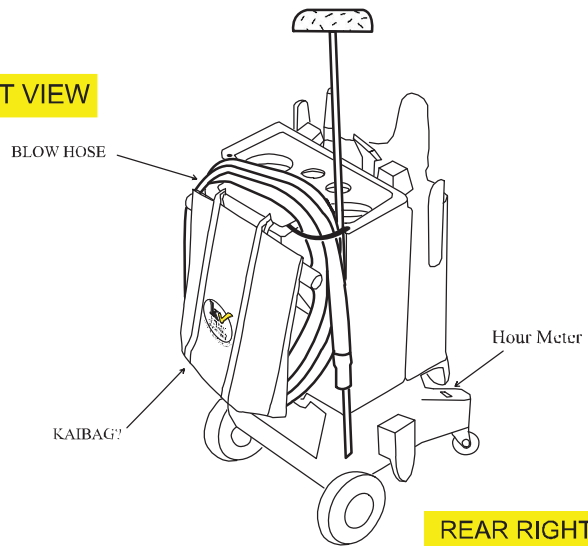
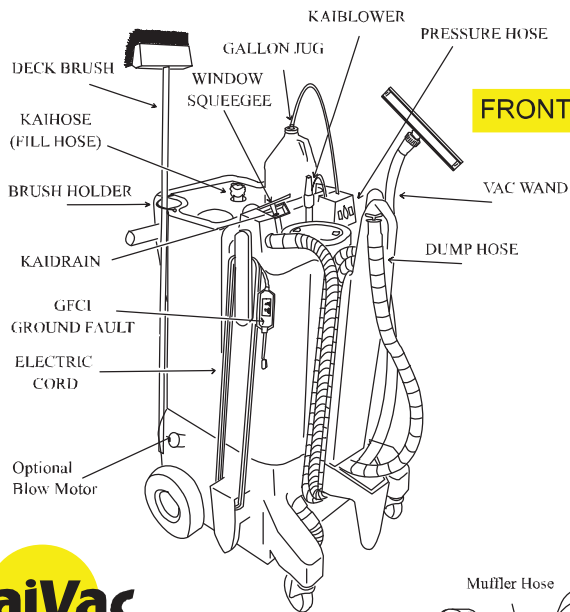
Kaivac

Safety

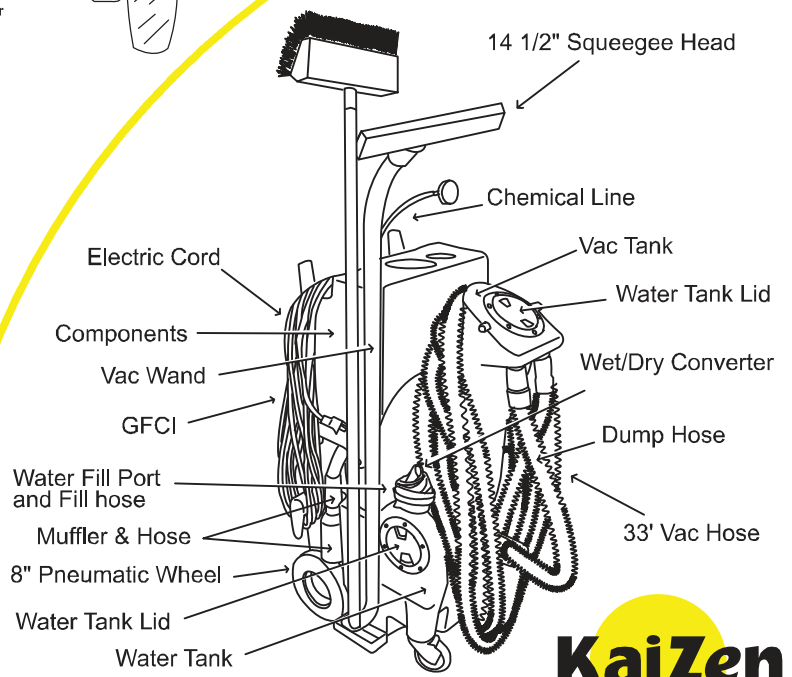
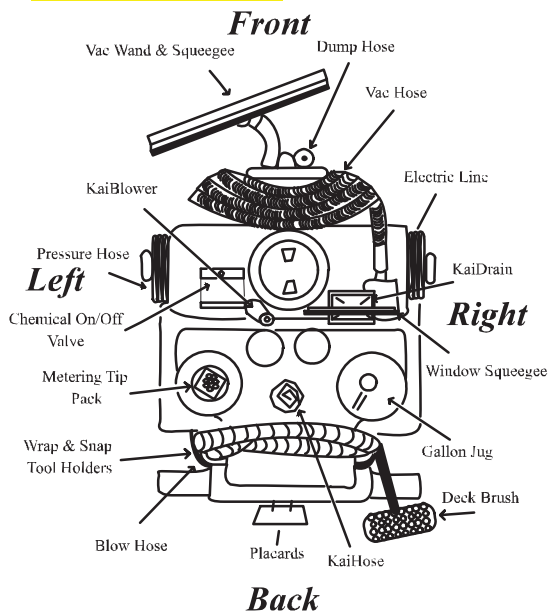


KaiVac Safety

Kaivac Tool Arrangement

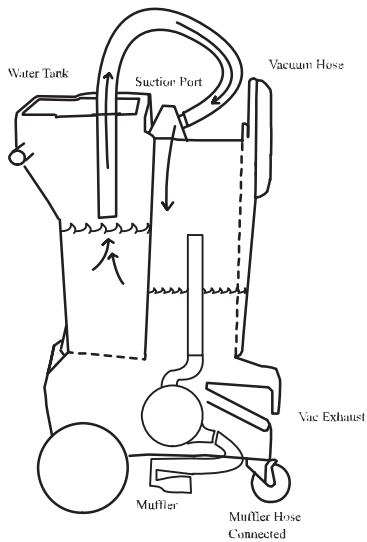


OVERHEAD VIEW

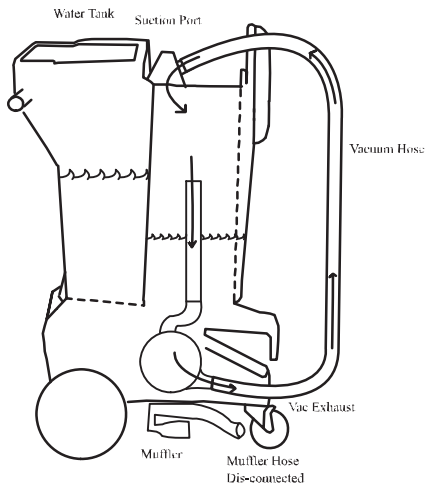


Kaivac Blow Operation

Using Vac Hose (Must Clean & Dry Before Use)



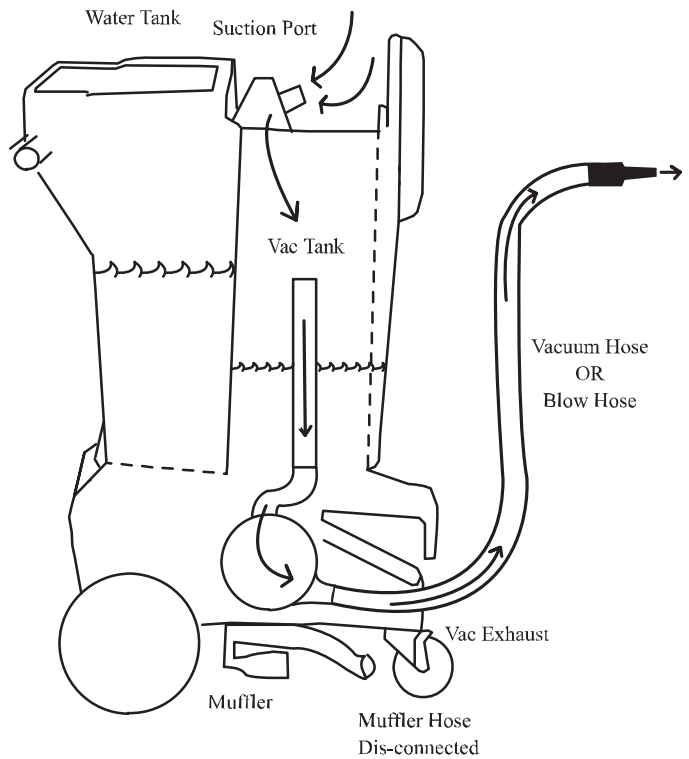
Flush (clean) Vac Hose
Operator inserts hose into water tank for 2-3 seconds



Rinse & Dry out Vac Hose
Operator disconnects muffer hose and connects vac hose to vac motor exhaust, running motor for 3 minutes. Operator disconnects hose at vac suction port and ready for blow operation.

OPTIONAL STEP if blow dry is required

Using Blow Hose



Blow Mode

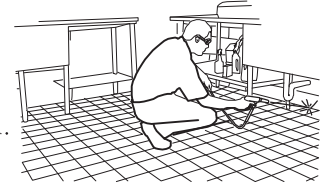
NOTE- Worker should wear respirator mask for Blow Operation in dusty areas.

Kaivac Optional Uses

Cafeterias and Kitchens

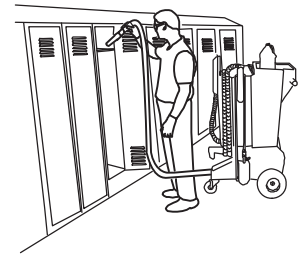
Note: Cover all food and utensils before cleaning

- Deep clean grout lines in quarry tile with the optional KaiMop.
- Tables, chairs and equipment may be pressure washed to remove embedded soil.
- Walls and floors may be cleaned using the S-I-M-P-L-E system.



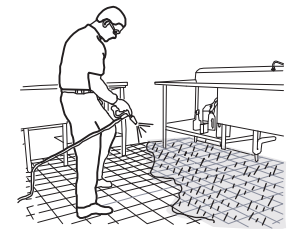
Locker and Shower Rooms

- Blow debris from in and under lockers, overhead fixtures and vents with the blow feature.
- Pressure wash and disinfect inside lockers.
- Use KaiBloey cleaner for delimiting shower rooms via chemical injection system.
- Use S-I-M-P-L-E procedures in other shower and locker room areas.



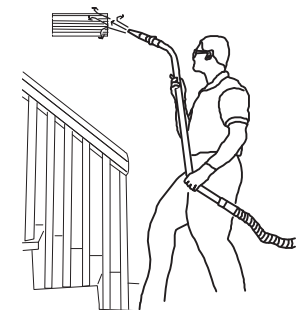
Stripping Floors

- Apply concentrated stripping solution using the chemical injection system. The chemical injection system will allow a 1:8 dilution ratio with no metering tip in place.
- Walk backwards while applying stripper to avoid stepping on wet surfaces.
- Scrub the floor with stripping pads or brushes.
- Wet-vac stripping solution from floor with the KaiVac squeegee tool.
- Use the spray gun and clean water from the water tank to rinse the floor an hard to reach areas as necessary. Turn the chemical valve to the "off" position to rinse the floor with water in low pressure mode.
- Blow the remaining stripper solution from behind baseboards, lockers and other hard to reach areas with the blow dry tool.
- Finally wet-vac rinse solution from the floor and touch up as needed.



Other Uses

- **High-Dusting** - Use air blast for cobweb and other dusting jobs.
- **Salt and water pickup** - Great for picking up water and salt during winter and rainy seasons.
- **Entrance Mat Cleaning** - Pressure wash and wet vac entry mats.
- **Window Cleaning** - Apply window washing solution with gun, squeegee window and wet vac off floor. Use only on compatible floors and walls.
- **Walls** - Use S-I-M-P-L-E process.
- **Stairwells** - Dust with air blast. Use S-I-M-P-L-E for deep cleaning.

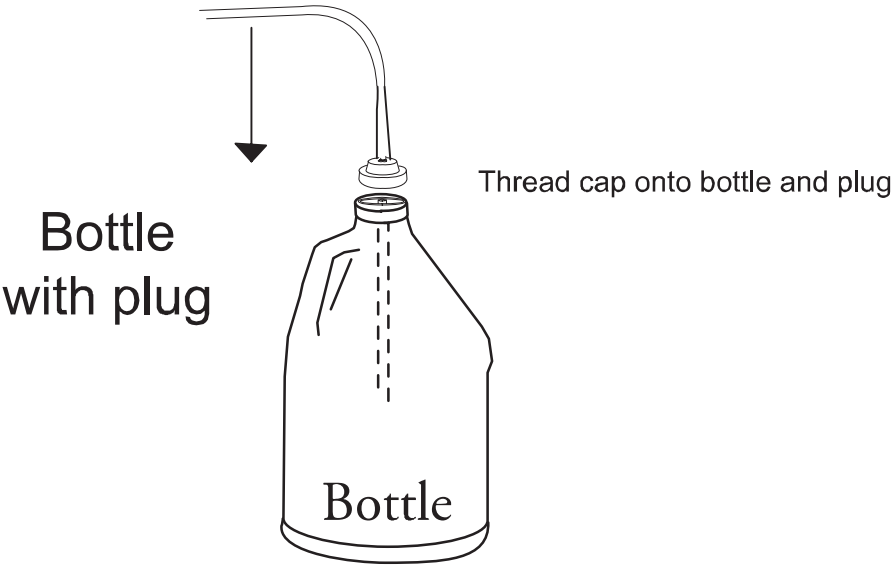
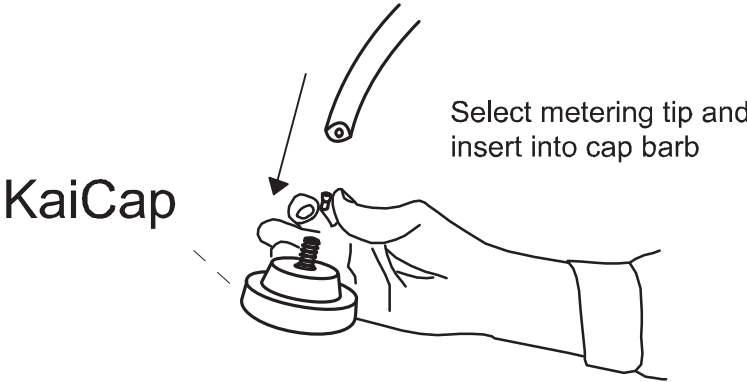


Chemical Injection Chart



METERING TIP CHART

TIP	PSI	OZ Per Gallon
• Black	300/500	1.25 / 2
• Aqua	300/500	3.00 / 4
• Orange	300/500	4.75 / 5
• Tan	300/500	9.50 / 10
• None	300/500	35 / 40



Kaivac Maintenance



CAUTION

Always make sure machine is unplugged before lifting electrical cover assembly

Item	Procedure
Floor Squeegee	<ul style="list-style-type: none"> * Check condition of rubber squeegee blades and wheels on the floor tool. Rough floor surfaces will cause the blades and wheels to wear out more quickly. Replace as necessary.
Spray Gun	<ul style="list-style-type: none"> * Check spray pattern. If spray pattern will not pinpoint, clean orifice by removing it with an Allen wrench and flushing. Replace if not pinpointing. * If nozzle becomes difficult to move from high to low pressure lubricate nozzle with lithium grease.
Pressure Hose	<ul style="list-style-type: none"> * Wipe clean after each use. * Check for cuts or frays in the hose jacket, particularly at the end of the fittings. Replace hose if cuts are found.
Water Filter	<ul style="list-style-type: none"> * Check filter screens for debris and clean as needed. Be careful not to crush the end of the filter screen when replacing. * Check the clear filter bowl cover to be sure it is tight. * Check for leaks around filter and filter connections.
Water Tank	<ul style="list-style-type: none"> * Check condition of filter in water tank. Clean as needed. * Empty the water tank to prevent mildew and bacteria growth. Empty tank by dipping the vacuum hose onto the water tank and transferring the water to the vacuum tank.
Vacuum Tank	<ul style="list-style-type: none"> * Empty and flush vacuum tank. * Clean and disinfect. * Check the float shutoff screen to be sure it is not plugged up. A plugged filter screen restricts airflow and results in reduced suction.
Leaks	<ul style="list-style-type: none"> * Be alert for leaks around hoses, fittings, spray wand, tanks or elsewhere. Discontinue use until leaks are repaired.
Electrical System	<ul style="list-style-type: none"> * The ground fault circuit interrupter (GFCI) must be tested before each use. * Electric cords must be inspected for tears or cuts in the insulation.
DVD System	<ul style="list-style-type: none"> * Make sure DVD player is dry and free of any debris placed on top or inside of storage compartment.

Kaivac Troubleshooting



CAUTION
Always make sure machine is unplugged before removing electrical box or base cover assembly

Area	Problem	Possible Cause	Remedy
Electrical	No power to pump or vac motor.	<ol style="list-style-type: none"> 1. KaiVac not plugged in. 2. Switch not "on". 3. GFCI tripped. 4. Building circuit overloaded. 5. Switch wires loose. 6. Terminal block connections loose. 	<ol style="list-style-type: none"> 1. Plug machine in. 2. Check switches for "on". 3. Test and reset GFCI. 4. Check and reset circuit. 5. Disconnect power and check for loose wire. 6. Disconnect power and check for loose wire.
	Electrical burning smell	<ol style="list-style-type: none"> 1. Vac motor brushes worn. 2. Vac motor hung up. 3. Pump motor hung up. 	<ol style="list-style-type: none"> 1. Replace vac motor brushes. 2. Replace vac motor. 3. Release pressure on hose and jog pump switch. Or replace.
Vacuum System	No / Weak vacuum	<ol style="list-style-type: none"> 1. Vac tank full. 2. Squeegee blades or wheels worn. 3. Float-shutoff screen dirty. 4. Float ball stuck. 5. Damaged hose. 6. Dump hose plug missing. 7. Access lid not tight. 8. Vacuum hose plugged. 9. Too much liquid in vac hose. 10. Vac hose still wrapped. 11. Muffler plugged. 12. Hose from vac motor to standpipe loose. 13. Leak in vac tank. 	<ol style="list-style-type: none"> 1. Empty vac tank. 2. Replace wheels or blades and check periodically. 3. Spray off float bag to clean. 4. Tap float and release / clean. 5. Cut and repair / replace. 6. Contact dealer and replace. 7. Tighten lid hand tight. 8. Flush hose to remove debris. 9. Allow air in when vacuuming. 10. Unwrap vac hose fully. 11. Remove padding and clean. 12. Reattach and tighten. 13. If repairable, clean and dry affected area and silicone.
	Moister from exhaust	<ol style="list-style-type: none"> 1. Vac tank full. 2. Float-shut off missing. 3. Excessive foam in vac tank. 4. Standpipe leaking. 5. Water sprayed into standpipe while cleaning. 	<ol style="list-style-type: none"> 1. Dump vac tank. 2. Replace. 3. Use defoamer. 4. Silicone threads or replace. 5. Use care to avoid spraying directly into float housing.
Blow dry system	No air flow	<ol style="list-style-type: none"> 1. Hose disconnected. 	<ol style="list-style-type: none"> 1. Reconnect hose.
	Moister from nozzle	<ol style="list-style-type: none"> 1. Water in vac hose. 	<ol style="list-style-type: none"> 1. Dry vac line.
	Suction instead of blow action	<ol style="list-style-type: none"> 1. Vacuum hose connected to tank inlet. 	<ol style="list-style-type: none"> 1. Reconnect to vac motor exhaust.

Kaivac Troubleshooting



CAUTION

Always make sure machine is unplugged before removing electrical box or base cover assembly

Area	Problem	Possible Cause	Remedy
High Pressure System	No water from pump or low pressure	<ol style="list-style-type: none"> 1. Out of water. 2. Gun nozzle plugged. 3. Air in pump(vapor lock). 4. Gun orifice missing. 5. Tank filter plugged. 6. Pressure hose damaged. 7. Quick disconnect leaking. 8. Injector plugged. 9. Pulse hose damaged. 10. Regulator failed. 11. Hose kinked. 12. Seals in pump need replaced. 	<ol style="list-style-type: none"> 1. Fill water tank. 2. Remove orifice with allen wrench and clean. 3. Use power prime technique. 4. Replace orifice. 5. Clean tank and filter. 6. Repair or replace. 7. Tighten or replace. 8. Using an airline or equal blow small bursts of air into affected chemical line. 9. Repair or replace. 10. Replace. 11. Unkink and check for damage. 12. Remove and replace seals.
	Bad fan pattern or pinpoint pattern on gun	<ol style="list-style-type: none"> 1. Debris in nozzle. 2. Orifice damaged. 	<ol style="list-style-type: none"> 1. Remove orifice with allen wrench and clean. 2. Remove and replace.
Chemical Injection System	No chemical flow	<ol style="list-style-type: none"> 1. Out of chemical. 2. Chemical line not in jug. 3. Chemical valve in "off". 4. Spray gun in wrong mode. 5. Metering tip plugged. 6. Injector plugged. 7. Air entering system. 8. Injector installed backwards. 	<ol style="list-style-type: none"> 1. Refill chemical. 2. Make sure line is in chemical. 3. Check on off valve. 4. Make sure gun nozzle is pulled out away from gun for chemical mode. 5. Check metering tip for clog. 6. Using an airline or equal. blow small bursts of air into affected chemical line. 7. Check for air entering system around chemical lines or injector. 8. If fluttering or pulsing sound can be heard while spraying or when machine is running it is possible that you injector is in backwards. Remove and reinstall.

Kaivac Troubleshooting

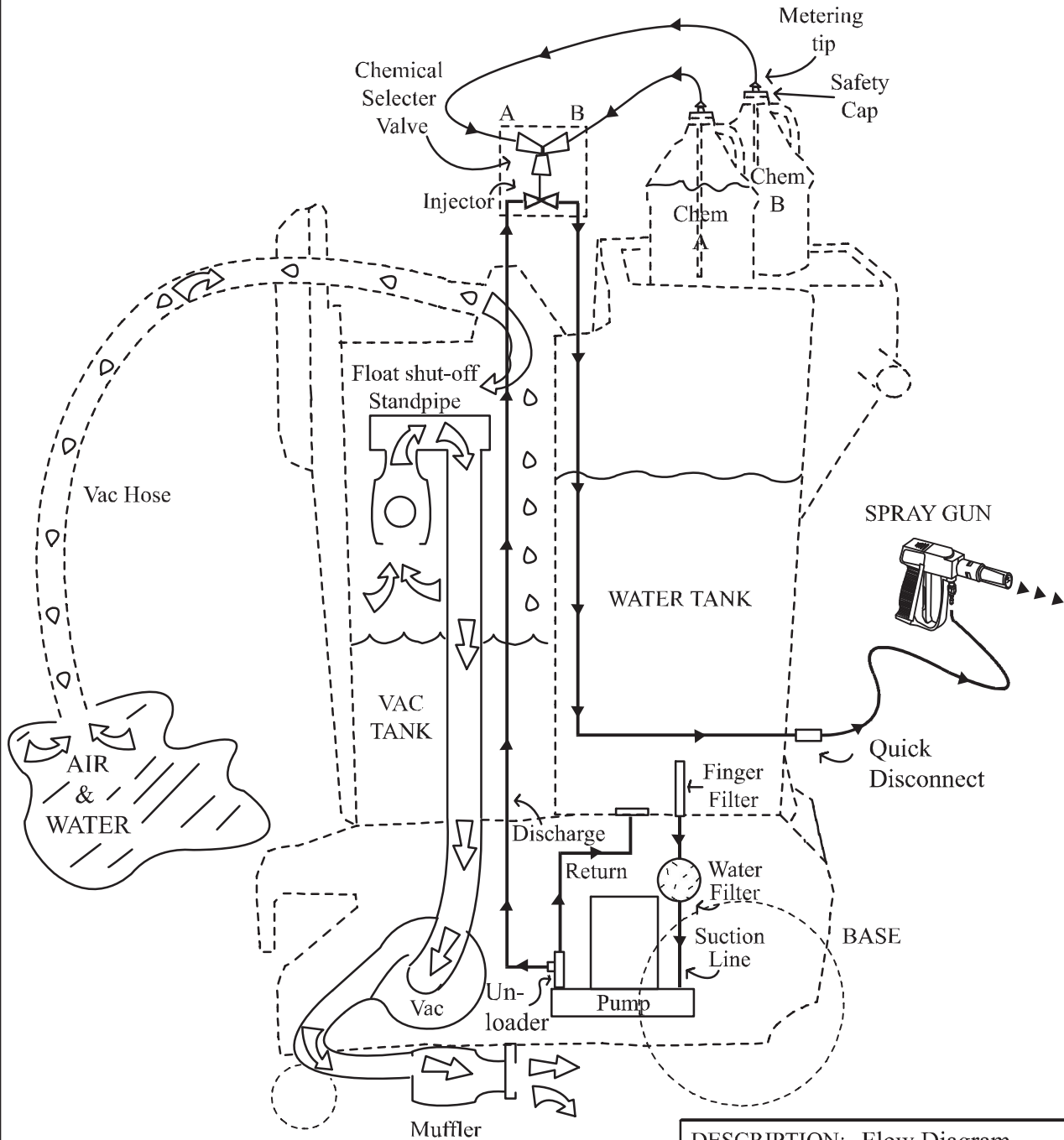



CAUTION
Always make sure machine is unplugged before removing electrical box or base cover assembly

Area	Problem	Possible Cause	Remedy
Chemical Injection System cont.	Not enough chemical flow	<ol style="list-style-type: none"> 1. Metering tip plugged. 2. Wrong metering tip. 	<ol style="list-style-type: none"> 1. Remove and clean. 2. Check and replace per chart.
	Chemical line blows off safety cap. Water backflows into chemical bottle	<ol style="list-style-type: none"> 1. Debris in injector. 2. Bad seat on injector valve. 3. Injector installed backwards. 	<ol style="list-style-type: none"> 1. Using an airline or equal, blow small bursts of air into affected chemical line. Or remove electric box and clean injector. 2. Check injector o-ring or replace. 3. Remove and reinstall correctly, arrow on injector should point towards pressure hose.
Dump System	Tank will not empty	<ol style="list-style-type: none"> 1. Dump hose plug not removed. 2. Drain hose plugged. 3. Dumping area too high for flow. 	<ol style="list-style-type: none"> 1. Hold hose high and remove plug, lower and dump. 2. Raise and lower dump hose to agitate. If garden hose is available blow water back through line to remove blockage. 3. Dump into lower area.
	Dump hose leaks	<ol style="list-style-type: none"> 1. Hose cut. 2. Clamp loose. 3. Dump plug bushing missing. 4. Plug missing. 	<ol style="list-style-type: none"> 1. If leak is less than 4" from tank side, cut and reattach. Or replace. 2. Retighten hose clamp. 3. Replace bushing. 4. Replace plug.
Wheels and casters	Wheels won't roll or they rub	<ol style="list-style-type: none"> 1. Flat tires. 2. Debris wrapped around axle. 3. Bearings tight. 4. Wheels too loose on axle. 5. Bearing falling out. 	<ol style="list-style-type: none"> 1. Inflate tires to 30 psi. 2. Check for debris on axle. 3. Grease bearings. 4. Remove wheel, add washers to take up slack. 5. Refer to remedy 4.
Squeegee Head	Floor streaks	<ol style="list-style-type: none"> 1. Worn blades or wheels. 	<ol style="list-style-type: none"> 1. Replace wheels and or blades.
	Squeegee head doesn't easily rotate when installed on wand	<ol style="list-style-type: none"> 1. Brass ring on wand not in groove. 2. Coupling nut too tight. 	<ol style="list-style-type: none"> 1. Loosen coupling nut and reposition head on groove. 2. Loosen 1/2 turn.
	Head won't stay on wand	<ol style="list-style-type: none"> 1. Coupling nut cracked. 2. Brass ring worn. 	<ol style="list-style-type: none"> 1. Replace. 2. Replace.
	Premature blade wear Sucks to the floor too tightly	<ol style="list-style-type: none"> 1. Squeegee wheels worn. 	<ol style="list-style-type: none"> 1. Check wheels for wear/ replace.

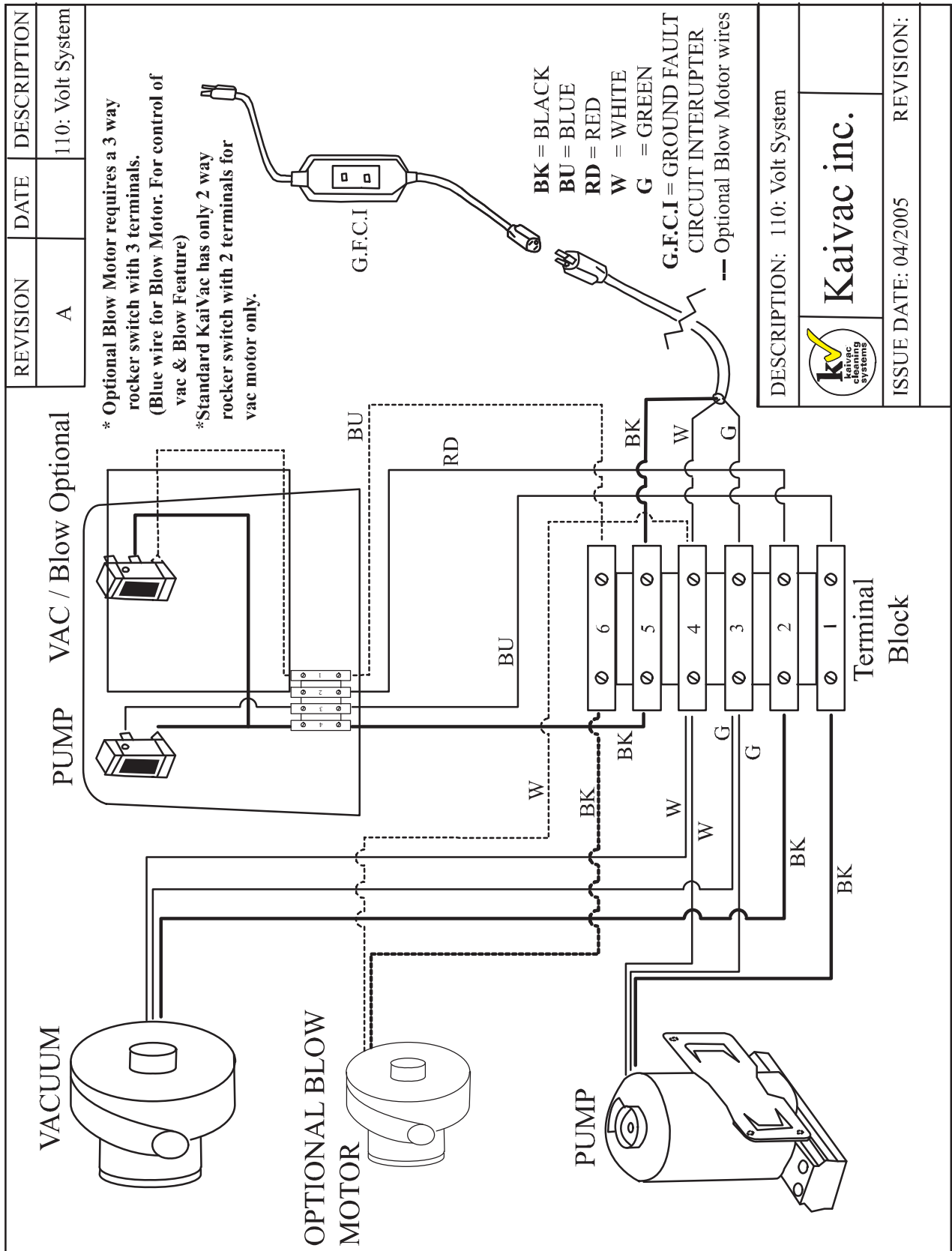
Kaivac Flow Diagram

REVISION	DATE	DESCRIPTION
A	05/01	Flow Diagram



DESCRIPTION: Flow Diagram	
	Kaivac inc.
ISSUE DATE: 01/2001	REVISION:

Kaivac Electrical Diagram



DESCRIPTION: 110: Volt System
Kaivac inc.
ISSUE DATE: 04/2005
REVISION:



SECTION 2

KAIVAC 2001 PARTS LIST BY DRAWING

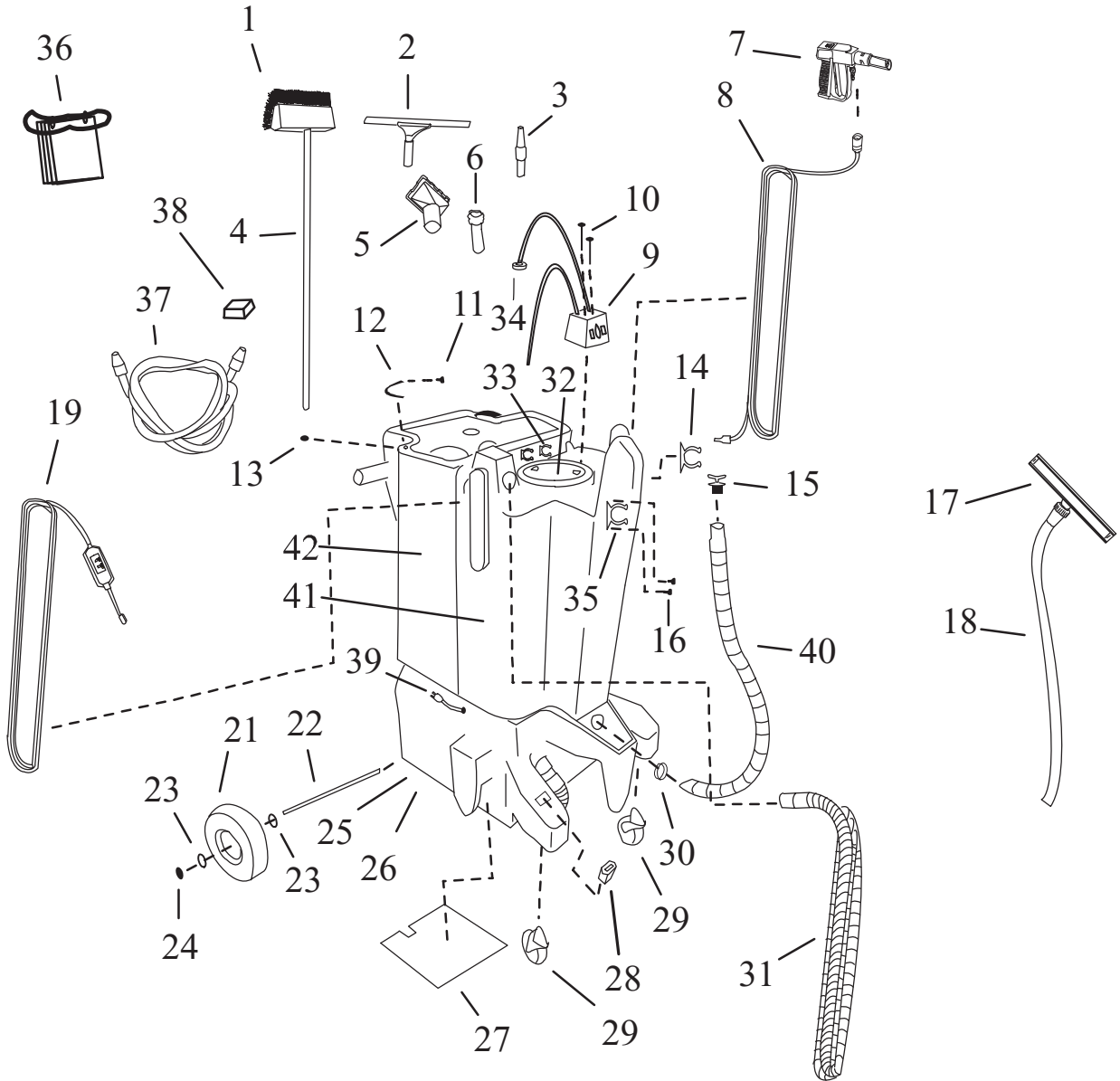
DRAWING PART NO.	ITEM NO.	PART DESCRIPTION
		FIGURE#1 KaiVac External Parts
1	CAS01A	YELLOW DECK BRUSH
2	CAA06	WINDOW SQUEEGEE
3	CVS13	BLOW NOZZLE
4	CAS02A	BRUSH HANDLE
5	CVS14	KAIDRAIN
6	SUBFH	FILL HOSE ASSEMBLY
7	SUBGA	PRESSURE GUN ASSEMBLY
8	SUBPH	PRESSURE HOSE ASSEMBLY
9	SUBEB2001	ELECTRIC BOX / CHEMICAL LINE ASSEMBLY
10	CES08	1/4 -20 X 4 SCREW FOR ELECTRICAL BOX
11	CSS11	#8 SELF DRILLING SCREW
12	SUBSS	WRAP AND SNAP ASSEMBLY
13	CSS20	SNAP STUD
14	CSS14	#13 CLAMP FOR VAC WAND
15	CVS10	EXPANSION PLUG
16	CSS17	#8 X 3/4 L SQUARE DRIVE SCREW
17	CVS12	14 1/2 " VACUUM HEAD SQUEEGEE TOOL
18	CVS11	ALUMINUM VACUUM WAND
	SUBVW	VAC WAND AND SQUEEGEE HEAD COMPLETE
19	CES19A	50' EXTENSION CORD W/GFCI
21	WHEEL10	10" FOAM FILLED TIRE W / 5/8 HUB
22	SUBPCKVAX58	5/8 POWDERCOATED AXLE
23	CSS46	5/8 WASHER
24	CSS43	5/8 PUSH CAP NUT
25	BAKV	BASE SUBASSEMBLY
26	CFS04N	BASE ONLY
27	BPLATEKV	BOTTOM COVER
28	HMETER	HOUR METER
29	CFS03	5"CASTER
30	CSS03	1 9/16" - 2 1/2" HOSE CLAMP
31	SUBVH	33' VAC HOSE ASSEMBLY
32	CVS06	CLEAR LID W/ DECK PLATE RING
33	CSS14	# 13 CLAMP FOR NOZZLE / GULPER TOOL
34	CHCAP	SAFETY CAP
35	CSS12	# 15 CLAMP FOR DUMP HOSE
36	PLACARD	INSTRUCTIONAL PLACARDS
37	SUBBLHS	BLOW HOSE
38	MTIPS2001	METERING TIP PACK
	CPS46H	ORANGE METERING TIP
	CPS47H	AQUA METERING TIP
	CPS48H	BLACK METERING TIP
	CPS56H	TAN METERING TIP
39	CEA04	MALE ELECTRIC PLUG
40	SUBDH	DUMP HOSE ASSEMBLY
41	VTAKV	VAC TANK SUBASSEMBLY
42	WTAKV	WATER TANK SUBASSEMBLY
43	TBAG	KAIVAC TOTE BAG

DRAWING		
PART NO.	ITEM NO.	PART DESCRIPTION
		FIGURE #2 KaiVac Internal Parts
1	MTIPS2001	METERING TIP PACK
2	CHCAP	SAFETY CAP
3	CPS01	CHEMICAL LINE (PER FOOT)
4	SUBEB2001	ELECTRICAL BOX / CHEMICAL LINE ASSEMBLY
5	SUBFL	FLOAT SHUT OFF ASSEMBLY
6	SUBSP	STANDPIPE ASSEMBLY
7	CES08	1/4" 20X4 SCREW
8	CSS44	1/4" FLAT WASHER
9	CSS27	1/4" NYLOC NUT
10	CVS01	VAC MOTOR ASSEMBLY
11	CPS54	WATER FILTER
12	SUBVH	VAC MOTOR HOSE ASSEMBLY
13	CPS15B	HERC HOSE (PER FOOT)
14	CPS15B	HERC HOSE (PER FOOT)
15	MFILT	MUSHROOM FILTER
16	SUBWH	WATER SUPPLY LINE
17	SUBWHR	WATER RETURN LINE
18	CPS14	PULSE HOSE
19	CPS39	3/8" QUICK DISCONNECT COUPLING
20	SUBPA	PUMP / MOTOR ASSEMBLY
21	CPS19	UNLOADER / CHECK VALVE
22	CSS88	SCREW
23	KMB15	WASHER
24	TRAY	TRAY
		FIGURE#3 14 1/2" SQUEEGEE TOOL
1	CAA07	WHEEL
2	CAA08	WHEEL HOLDER
3	CAA09	HOLDER SCREW
4	CVS12	SQUEEGEE HEAD
5	CVA03	SQUEEGEE BLADE
6	CVA16	TOOL COUPLING
7	CVA14	METAL RING
8	CVA15	COUPLING NUT
	CAA10	GLIDES (OPTIONAL; REPLACES WHEEL AND WHEEL HOLDER)
		FIGURE#4 SUBEB2001 ELECTRICAL BOX
1	CES08	1/4 X 4" SCREW
2	CES02B	ROCKER SWITCH
3	CES09	SWITCH BOX
4	CPS68	90 DEG 1/8 MALE
5	CPS50A	3 WAY CHEMICAL VALVE
6	CPS01	CHEMICAL LINE (PER FOOT)
7	CPS12	INJECTOR
8	CES10	WIRE TERMINAL
9	CES15	RED WIRE LEAD
10	CES16	BLACK WIRE LEAD
11	CES17	BLUE WIRE LEAD
12	CPS15B	HERC HOSE (PER FOOT)
13	CPS65	1/2" CLAMP
14	CPS64	90 DEG STR ELBOW
15	CSS21	SNAP CLAMP

DRAWING PART NO.	ITEM NO.	PART DESCRIPTION
FIGURE#5 SUBGA GUN ASSEMBLY		
1	CPS16	SPRAY GUN
2	CPS23	1/4 " QD PLUG
3	CPA05	ORIFICE
4	CPS17	IDROJET NOZZLE
	CPA04	GUN NOZZLE BEARING
5	CPS33	1/4 CLOSE NIPPLE
FIGURE#7 SUBFL FLOAT SHUT OFF ASSEMBLY		
1	CVS32	FLOAT BODY
2	CVS26	BALL
3	CSS63	TIE WRAP
4	CVS28	FILTER BAG
5	CVS35	O-RING
FIGURE#8 STANDPIPE		
1	CVS03	ADAPTER
2	CVS04	PIPE
FIGURE#9 MUFFLER / PREMUFFLER		
1	PRMUF	PREMUFFLER
2	PRM14	14" HOSE
3	MUFFKV	MUFFLER
4	CSS11	SCREW
5	PRM7	7" HOSE
6	CVS08A	HOSE CUFF
FIGURE#11 SUBIQD INJECTOR ASSEMBLY		
1	CPS12	INJECTOR BODY
2	CPS12B	STAINLESS BALL
3	CPS62	VITON O-RING
(SPRING IS NOT SOLD SEPARATELY)		
FIGURE#12 PUMP		
1	CSS07	5/16 SCREW
2	PCTERMA	ELECTRICAL CORD
3	CPS39	3/8 QD COUPLING
4	CPS14	PULSE HOSE
5	CSS08	U-NUTS
6	CPS19	UNLOADER
7	SUBWHKV	HOSE
8	CES12	CABLE GRIP
9	PSPAREN	PUMP HEAD
FIGURE#13 CARPET EXTRACTOR		
1	CPS33	1/4 CLOSE NIPPLE
2	CPS23	1/4 QD PLUG

DRAWING		
PART NO.	ITEM NO.	PART DESCRIPTION
		FIGURE#14 KAIGROUTER TOOL
1	CVS12	SQUEEGEE
2	KMOP01	SPRAY NOZZLE
3	CPS41A	3 WAY VALVE
4	GTS01	BRASS V JET
5	CPS71	90 DEG ELBOW
6	MISC	CLEAR SLEAVE
7	CSS107	SCREWS
7A	CSS102	ACORN NUTS
7B	GTS01	BRASS V JET
8	CVS11	VAC WAND
9	CPS15A	PRESS. HOSE
10	CSS64	TIE WRAP
11	GTS03W	HANGER
12	CPA09	VALVE
13	CPS33	1/4 NIPPLE
14	CPS23	1/4 QD PLUG
15	CPS37	HOSE GUARD
16	CPS34	FERRULE
17	CPS36	1/4 HOSE BARB
		FIGURE#15 SUBUT UPHOLSTERY TOOL
1	CPS33	1/4 CLOSE NIPPLE
2	CPS23	1/4 QD PLUG
		FIGURE#16 MUFFLER
1	CVS32	BODY
2	MUFPAD	SOUND PADDING
3	CSS39	HOSE CLAMP
4	MISC	2X2 MUFFLER PAD
		MISCELLANEOUS
		TANKS
	SUBVT	VACUUM (RECOVERY) TANK
	SUBWT	WATER TANK
		HOSE
	CVS09A	VACUUM HOSE (PER FOOT)
	CVS08A	VACUUM HOSE CUFFS
	CVA19	CONNECTOR FOR VACUUM HOSE
	VACHOSE50	50 FT. VACUUM HOSE COMPLETE
		PUMP RE-BUILD KITS
	PKITA	PUMP KIT A -PLUNGER, SEALS, PISTON
	PKITB	PUMP KIT B-VALVES & O-RINGS
	PKITC	CAM BEARING
	PUMPKIT	PUMP KIT COMPLETE (A,B,C)

Kaivac External View



See page 1 SECTION 2
for parts listings

DESCRIPTION: KaiVac External Parts
Serial # 8643 and Higher

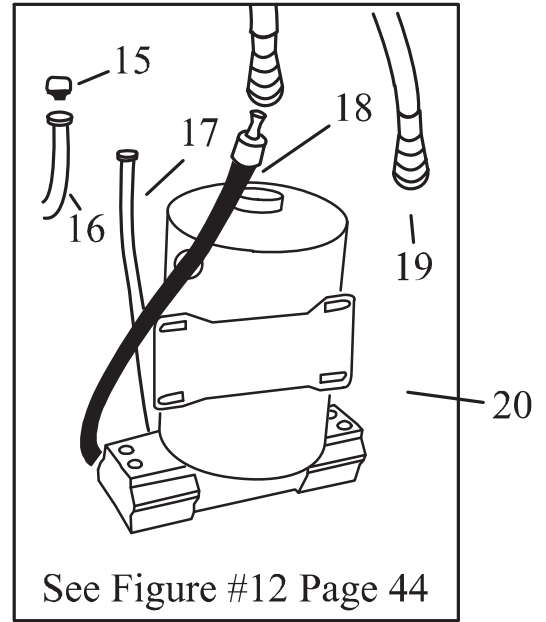
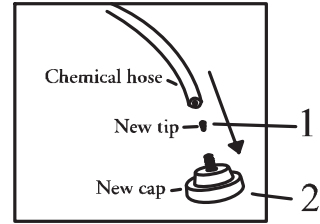
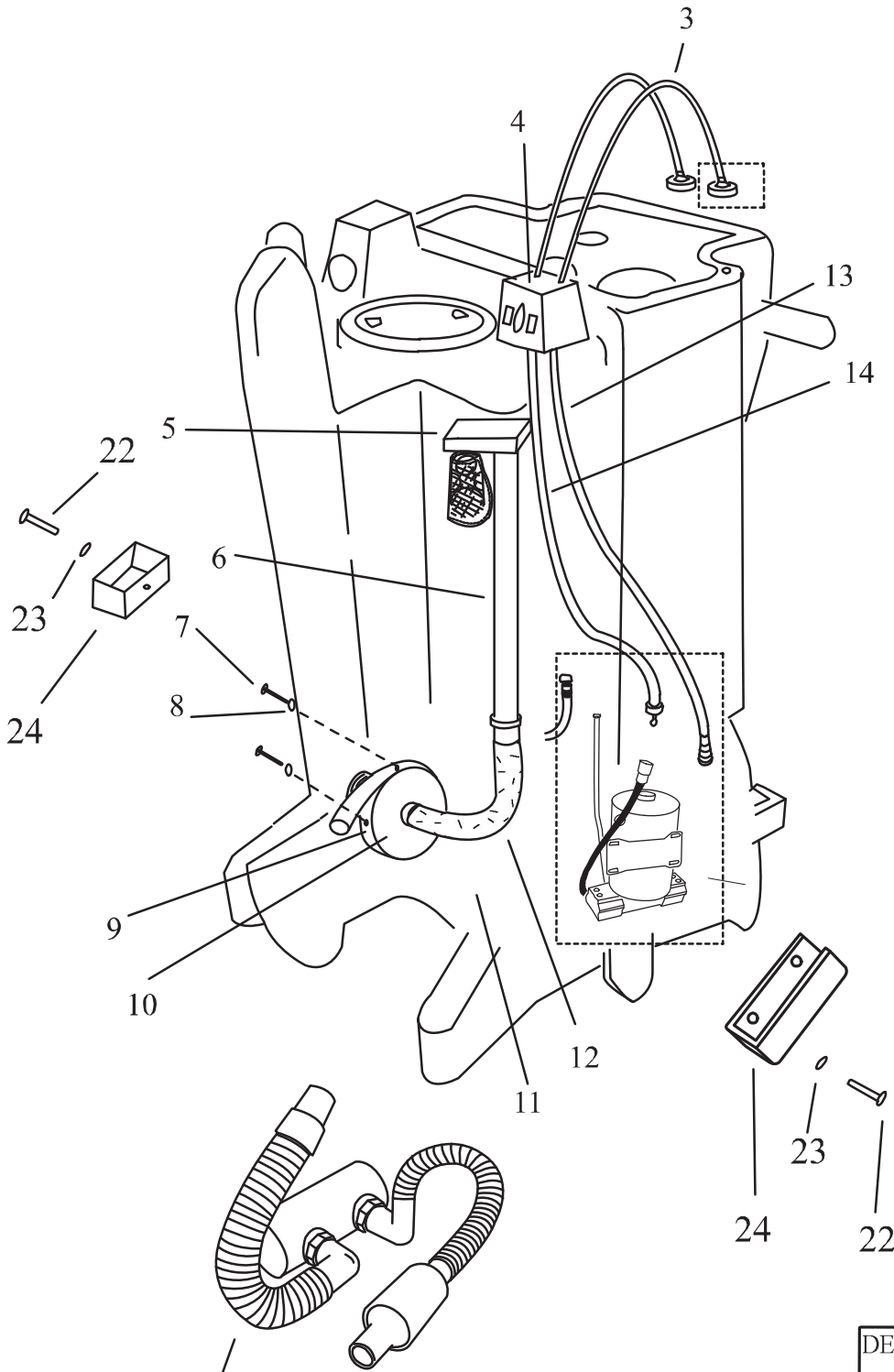


Kaivac inc.

ISSUE DATE: 12/2005 REVISION: C

Figure # 1 page 6


Kaivac Internal View



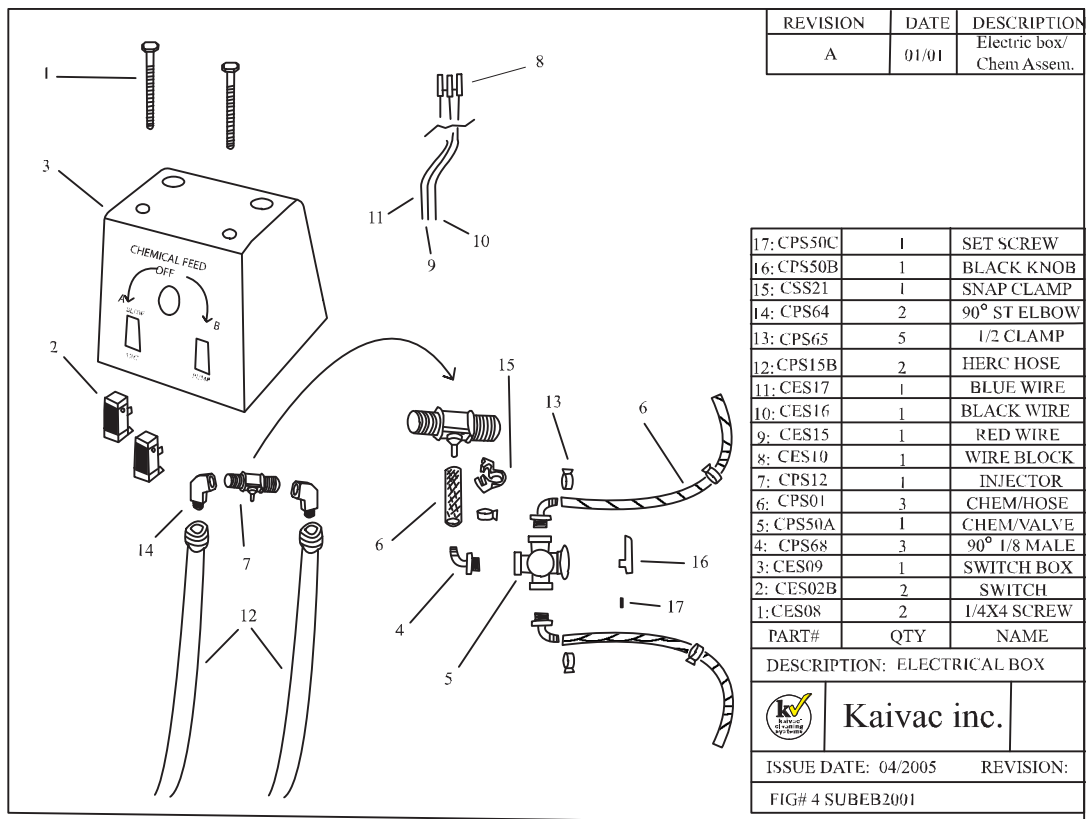
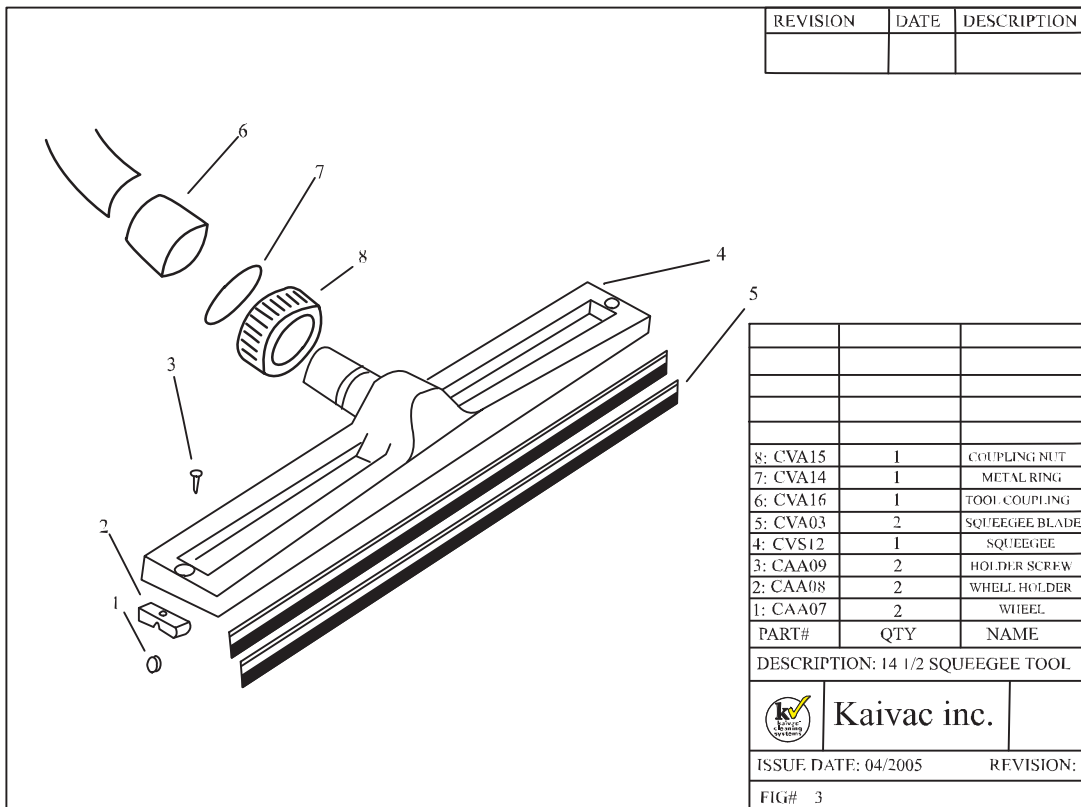
See Figure #12 Page 44

See Figure #9
Page 42


See page 2 SECTION 2
for parts listings


DESCRIPTION: KaiVac Internal Parts Serial # 8602 and Higher	
	Kaivac inc.
ISSUE DATE: 12/2005	REVISION: B
Figure # 2	page 7

Kaivac Squeegee / Electric Box



Kaivac Gun / Float

REVISION	DATE	DESCRIPTION
5: CPS33	1	1/4 CLOSE NIPPLE
4: CPS17	1	IDROJET NOZZLE
3: CPA05	1	ORIFICE
2: CPS23	1	1/4 Q7 PLUG
1: CPS16	1	SPRAY GUN
PART#	QTY	NAME
DESCRIPTION: PRESSURE GUN ASSEM.		
 Kaivac inc.		
ISSUE DATE: 04/2005		REVISION:
FIG# 5 SUBGA		

REVISION	DATE	DESCRIPTION
5: CVS35	2	O-RING
4: CVS28	1	FILTER BAG
3: CSS63	1	TIE WRAP
2: CVS26	1	BALL
1: CVS32	1	FLOAT BODY
PART#	QTY	NAME
DESCRIPTION: FLOAT SHUTOFF		
 Kaivac inc.		
ISSUE DATE: 04/2005		REVISION:
FIG# 7 SUBFL		

Kaivac Standpipe / Muffler Assem.

REVISION	DATE	DESCRIPTION

2: CVS04	1	PIPE
1: CVS03	1	ADAPTER
PART#	QTY	NAME

DESCRIPTION: STANDPIPE

ISSUE DATE: 12/2005 REVISION:

FIG# 8 SUBSP

REVISION	DATE	DESCRIPTION

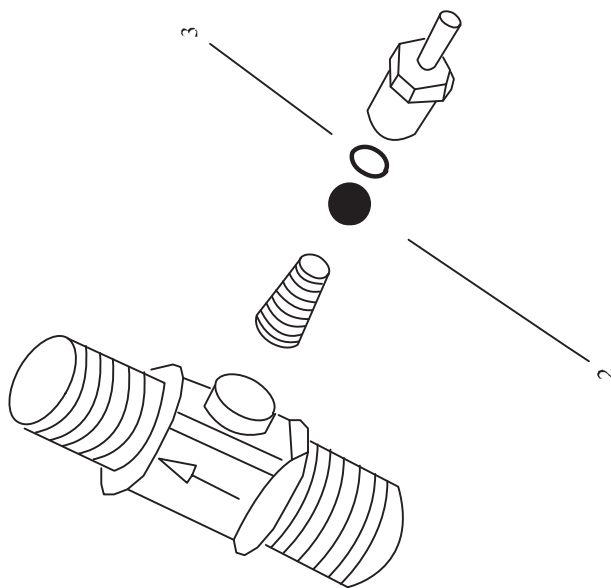
6: CVS08A	1	CUFF
5: PRM7	1	7"HOSE
4: CSS11	1	SCREW
3: MUFFKV	1	MUFFLER
2: PRM14	1	14"HOSE
1: PRMUF	1	MUFFLER
PART#	QTY	NAME

DESCRIPTION: MUFFLER /PRE MUFF

ISSUE DATE: 12/2005 REVISION:B

FIG# 9 PRMUF

REVISION	DATE	DESCRIPTION



3: CPS62	1	VITON O-RING
2: CPS12B	1	STAINLESS BALL
1: CPS12	1	INJECTOR BODY
PART#	QTY	NAME

DESCRIPTION: CHEMICAL INJECTOR



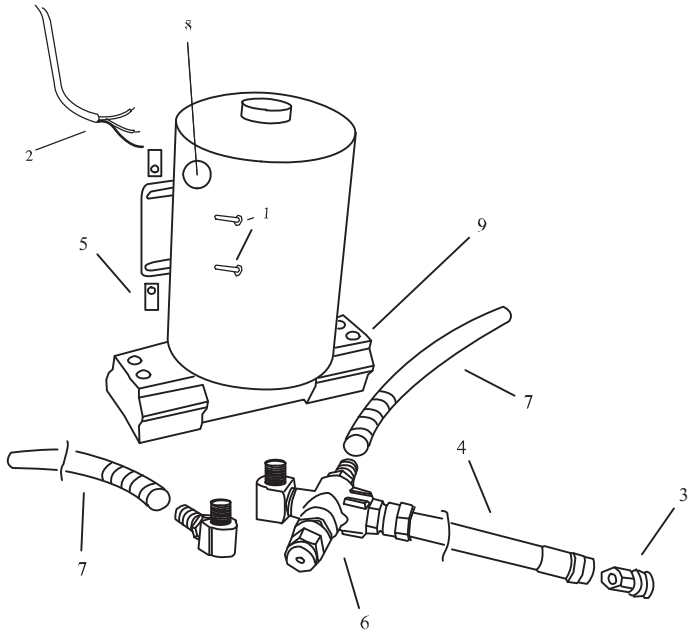
Kaivac inc.

ISSUE DATE: 04/2005 REVISION:

FIG# 11 SUBIQD


Kaivac Pump

REVISION	DATE	DESCRIPTION
A	12/05	PUMP MOTOR ASSEM.



PART#	QTY	NAME
9: PSPAREN	1	PUMP HEAD
8: CES12	1	CABLE GRIP
7: SUBWHKV	2	HOSE
6: CPS19	1	UNLOADER
5: CSS08	4	L-NUTS
4: CPS14	1	PULSE HOSE
3: CPS39	1	3/8 QD COUPLING
2: PCTERMA	1	ELECTRIC WIRE
1: CSS07	4	5/16 SCREW

DESCRIPTION: PUMP MOTOR ASSEM.

	Kaivac inc.
---	--------------------

ISSUE DATE: 12/2005 REVISION: B

FIG# 12 PA500KV

Kaivac Upholstery tool

REVISION	DATE	DESCRIPTION

2: CPS23	1	1/4 QD PLUG
1: CPS33	1	1/4 CLOSENIPPLE
PART#	QTY	NAME
DESCRIPTION: UPHOLSTERY TOOL		
Kaivac inc.		
ISSUE DATE: 12/2005		REVISION:
FIG# 15 SUBUT		

REVISION	DATE	DESCRIPTION

3: MUFPAD	1	SOUND PADDING
2: MUFPAD	1	SOUND PADDING
1: CV332	1	BODY
PART#	QTY	NAME
DESCRIPTION: UPHOLSTERY TOOL		
Kaivac inc.		
ISSUE DATE: 12/2005		REVISION:
FIG# 16 MUFFKV		

PAGE DIVIDER